

SPARE PARTS ELEKTRO HEATERS

BX 3/9/15 2/5(old)

VTB 3000/9000/15000/18000

CH 3/12/18

Proheat 18

BX HEATERS

User and installation instructions

Use

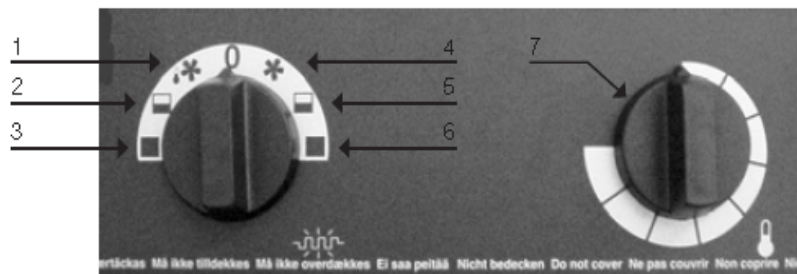
The electric fan heater is intended for space heating in various premises. It is movable, but can also be permanently installed. The electric fan heater is approved for use in humid and wet areas, and is employed on building sites, in stores and shops, and in the home. The fan heater has been subjected to electrical safety testing and EMC-testing by SEMKO. The fan heater is CE marked. Degree of protection: IP X4 (corresponds to splash-proof)

Safety

- Don't use this heater in the immediate vicinity of a shower, bath or swimming pool.
- Don't cover the heater since it could then overheat and could cause a fire (see also Figure A).
- Some of the heater surfaces become hot when the heater is in operation.
- Locate the heater so that any combustible material will not be ignited.
- Don't locate the heater immediately below a permanent wall-mounted power outlet.
- If permanently installed in a bathroom or shower room, make sure that the heater is installed so that the person using the bath or shower will not be able to touch it.



Operation



Thermostatically controlled fan motor

The fan motor will stop when the thermostat has switched off the heater.

1. Fan (BX 9AE Low speed)
2. Fan + 1/2 output (BX 5E 230 V - 2/3 output)
3. Fan + 1/1 output

Continuous operation

The fan motor runs continuously regardless of the thermostat setting.

4. Fan (BX 9AE High speed)
5. Fan + 1/2 output (BX 5E 230 V - 2/3 output)
6. Fan + 1/1 output

Thermostat, 0 – 35°C

7. The thermostats in BX 2E and BX 3E have one output stage, while other models have two output stages.

Maintenance

Clean the heater at regular intervals, since dust and dirt may give rise to overheating and the consequent risk of fire.

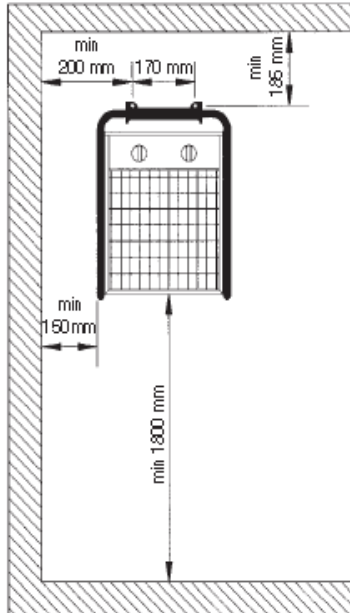
The heater has a built-in temperature limiter designed to trip the power supply in the event of overheating. If the temperature limiter has tripped, let the heater cool down and attend to the fault. Reset the temperature limiter by pressing the RESET button on the cover (on the rear of BX 5E, BX 9AE, BX 9SE, BX 15E). The maintenance shall be carried out by a professional.

Permanent installation

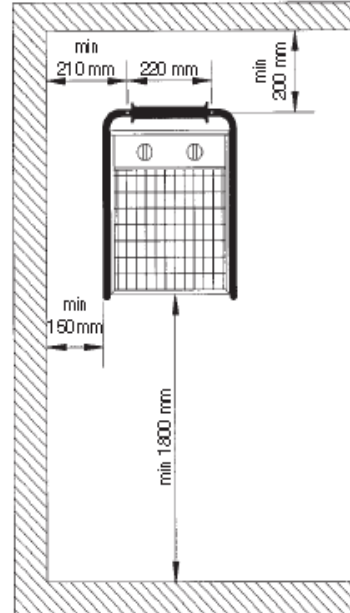
For stationary duty, the heater should be mounted at least 1800 mm above the floor. The minimum distances from the ceiling and wall are shown in Figure B. Secure the heater fan to the wall with screws fitted through the two mounting holes, and make sure that the heater is firmly secured in position. Use an all-pole switch with a distance of at least 3 mm between open contacts for connecting the heater to the power supply. Check the rating plate of the fan and the wiring diagram on the cover to make sure that the installation has been correctly done. The installation must be carried out by an authorized installer and in accordance with the relevant regulations.

B

BX 2E-5E



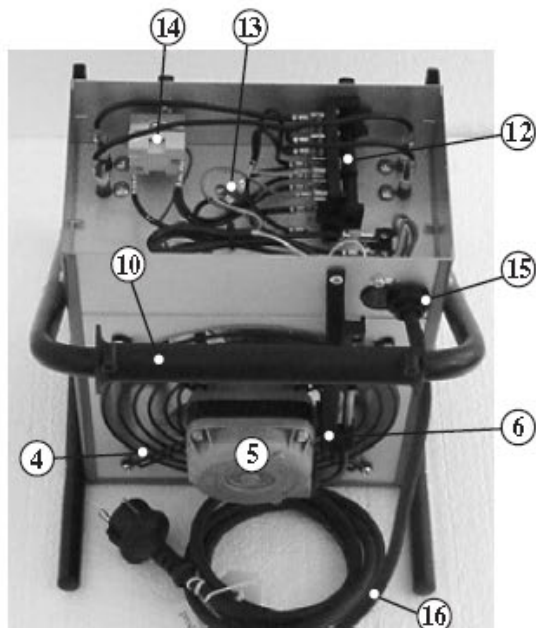
BX 9AE-15E



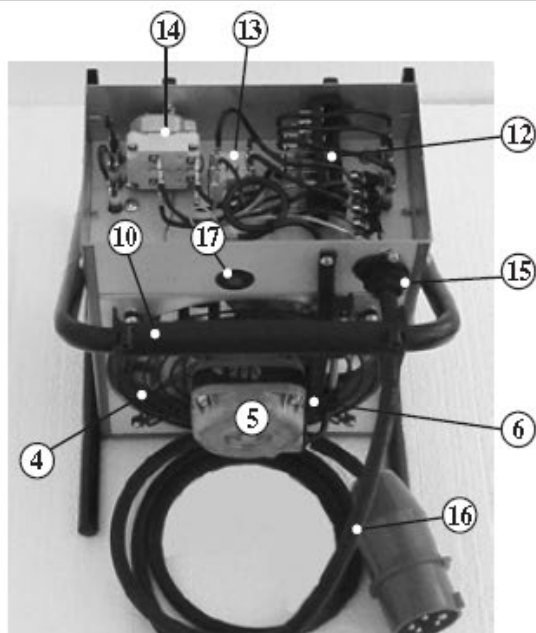
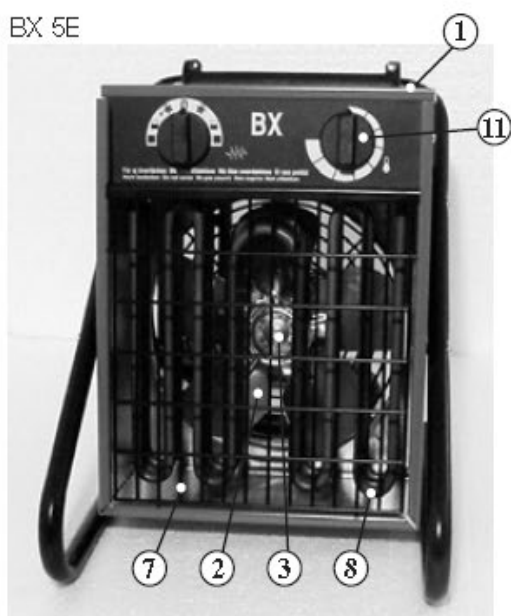
Tekniska data/Tekiske data/Tekniske spesifikasjoner/Tekniset tiedot/Technical Specifications/Technische Daten/Caractéristiques techniques/Specifiche tecniche/Technische gegevens/Dane techniczne/Технические данные

SE	Typ	Total-effekt	Värme-effekt	Motor-effekt	Reglerings-möjlighet	Spänning	Ström	Luft-mängd	Temperatur-ökning	Vikt
DK	Type	Total-effekt	Varme-effekt	Motor-effekt	Regulerings-muligheder	Volt/ faser	Strøm	Luft-mængde	Temperatur max	Vægt
NO	Type	Total-effekt	Varme-effekt	Motor-effekt	Regulerings-muligheder	Spenning	Strøm	Luft-mengde	Temperatur-økning	Vekt
FI	Tyyppi	Kokonais-teho	Lämmitys-teho	Moottori-teho	Säätö-valit	Jännite	Virta	Ilma-määrä	Lämpötilan- nousu	Paino
GB	Type	Total output	Heat output	Motor output	Control options	Voltage	Current	Air flow	Temperature rise	Weight
DE	Typ	Gesamt-leistung	Heiz-leistung	Motor-leistung	Regelungs-möglichkeit	Spannung	Strom	Luft-menge	Temperatur-erhöhung	Gewicht
FI	Type	Puissance totale	Effet calorifique	Puissance du moteur	Réglages-possibles	Tension	Courant	Quantité d'air	Aug mentat. de la temp.	Poids
IT	Tipo	Potenza totale	Potenza riscaldamento	Potenza motore	Possibilità di regolazione	Tensione	Corrente	Quantità aria	Incremento della temp.	Peso
NL	Type	Totale capaciteit	Verwarmings-capaciteit	Motor- vermogen	Regelmogelikheden	Aansluit- spanning	Opgenomen stroom	Luchtver- plaatsing	Temperatuur- toename	Gewicht
PL	Typ	Moc całkowita	Moc ciepła	Moc silnika	Regulacja	Zasilanie	Prąd	Strumień powietrza	Przyrost temp.	Waga
RU	Тип	Общая мощность	Мощность нагрева	Мощность двигателя	Регули- рование	Напр	Ток	Расход воздуха	Повышение температу- ры	Вес
BX 2E		2032 W	2000 W	32 W	0-1-2 kW	230 V ~	4,5/8,9 A	190 m³/h	29°C	5,5 kg
BX 3E		3032 W	3000 W	32 W	0-1,5-3 kW	230 V ~	6,7/13,2 A	290 m³/h	29°C	6,0 kg
BX 5E		5032 W	5000 W	32 W	0-3,3-5 kW	230 V ~	14,6/22,0 A	500 m³/h	28°C	6,5 kg
BX 5E		5032 W	5000 W	32 W	0-2,5-5 kW	230 V 3~	11,1/12,8 A	500 m³/h	28°C	6,5 kg
BX 5E		5032 W	5000 W	32 W	0-2,5-5 kW	400 V 3N~	6,4/7,4 A	500 m³/h	28°C	6,5 kg
BX 9AE		9070 W	9000 W	70 W	0-4,5-9 kW	400 V 3~	6,8/13,3 A	700/900 m³/h	36/28°C	11,5 kg
BX 9ANE		9070 W	9000 W	70 W	0-4,5-9 kW	230 V 3~	11,5/22,8 A	700/900 m³/h	36/28°C	11,5 kg
BX 9SE		9070 W	9000 W	70 W	0-4,5-9 kW	400 V 3~	11,5/13,3 A	900 m³/h	28°C	10,5 kg
BX 15E		15070 W	15000 W	70 W	0-7,5-15 kW	400 V 3~	11,1/21,9 A	1000 m³/h	42°C	15,0 kg

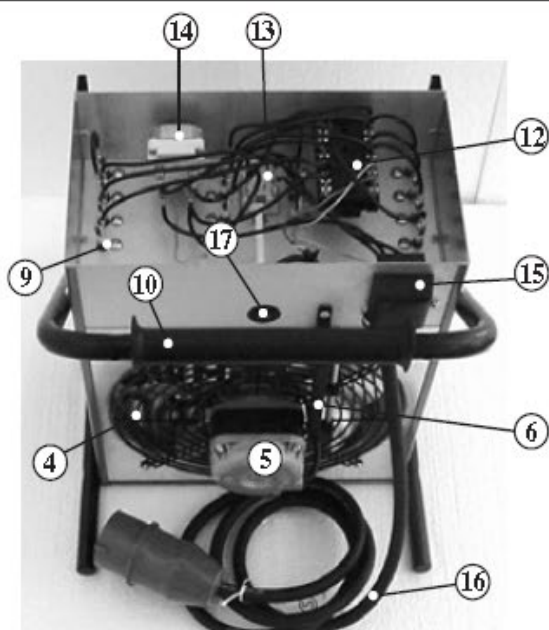
BX 2E-3E



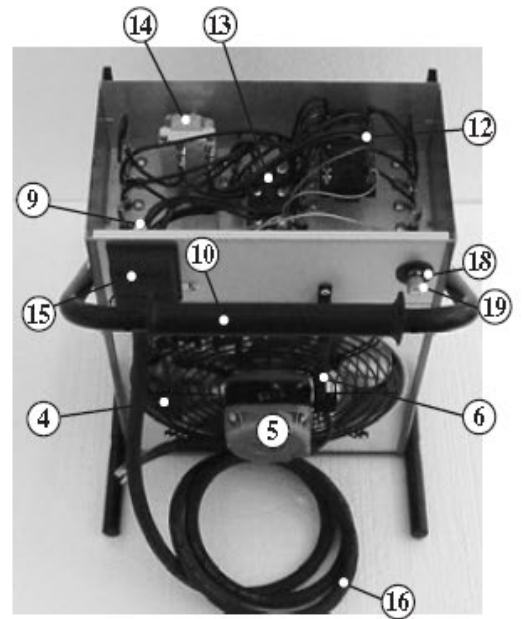
BX 5E



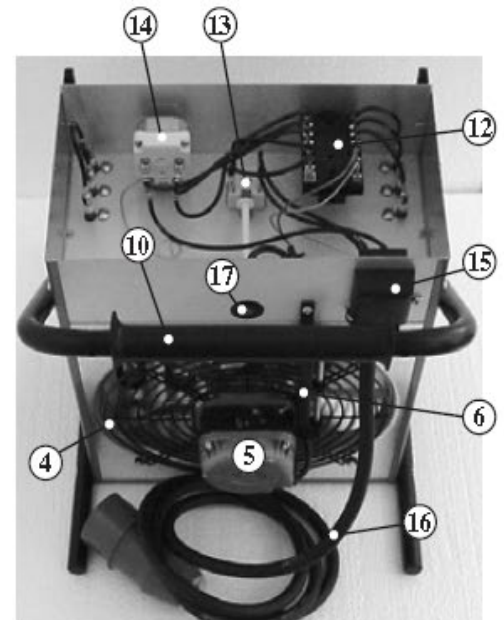
BX 9AE



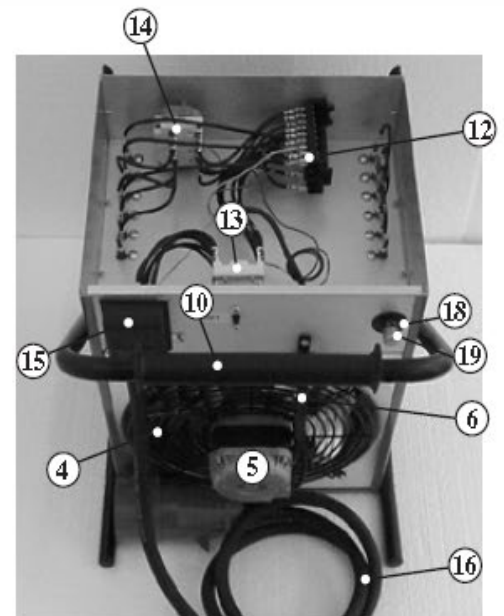
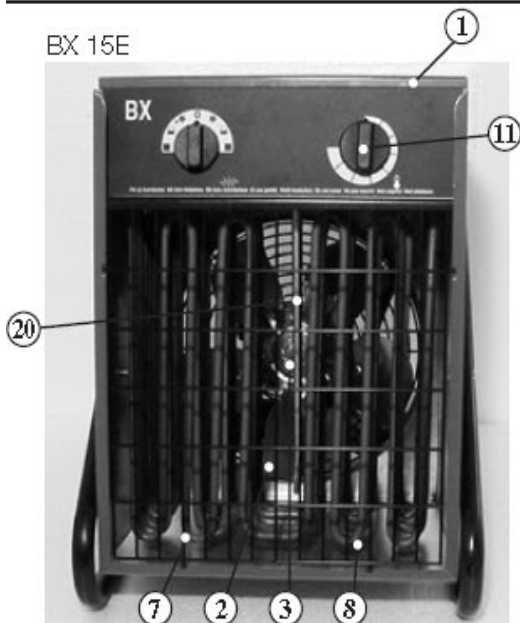
BX 9ANE



BX 9SE



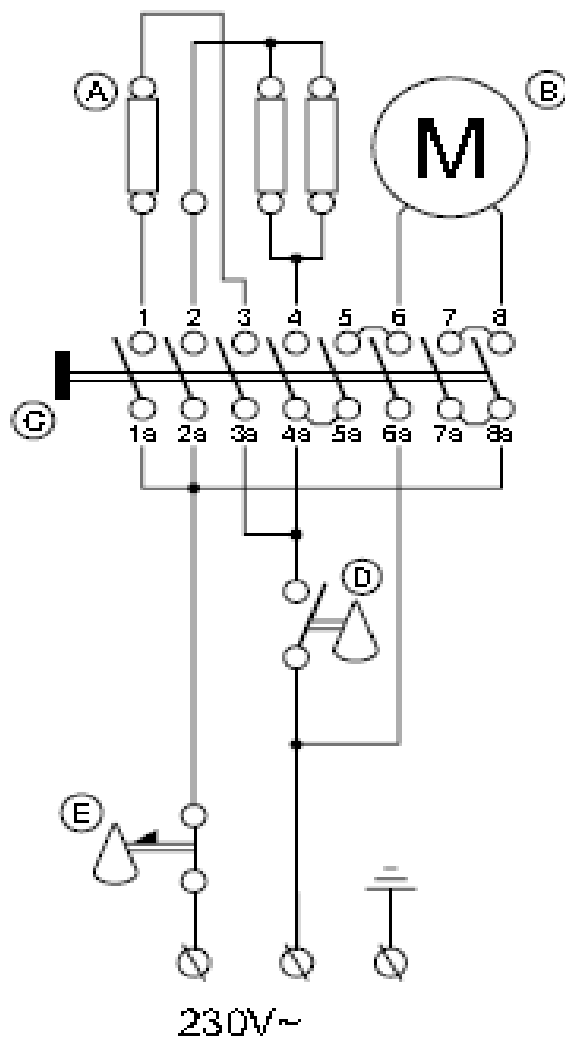
BX 15E



	NL	GB	F	D
	Omschrijving	Description	Déscription	Bezeichnung
1	Deksel	Cover	Couvercle	Deckel
2	Waaier	Fanblade	Ailette de ventilateur	Gebläseflügel
3	Koppelingsstuk	Central hube	Accouplement ventilateur	Zentrumnabe
4	Aanzuigrooster	Protective grill fan	Grille de protection ventilateur	Schutzgitter Gebläse
5	Ventilatormotor	Fanmotor	Moteur de ventilateur	Gebläsemotor
6	Kabelhuls	Cableguard	Sabot de câble	Kabelschutz
7	Uitblaasrooster	Protective grill	Grill de soufflage	Ausblasgitter
8	Verwarmingselement	Element	Élément	Heizelement
9	Serieweerstand	Series resistor	Résistance série	Serienwiderstand
10	Handgeep	Handle	Poignée	Handgriff
11	Draaiknop	Knob	Poignée	Drehschalter
12	Schakelaar	Switch	Interrupteur	Schalter
13	Oververhittingsthermostaat	Overheating cut-out	Protection contre la surchauffe	Überhitzungsschutz
14	Thermostaat	Thermostat	Thermostat	Thermostat
15	Stroomaansluitblok	Connection box	Admission	Stromeinlass
16	Stroomkabel compleet	Cable set complete	Support de câble complet	Kabel komplett
17	Reset-knop	Resetbutton	Bouton de réinitialisation	Rückstellknopf
18	Doorvoersteen	Bulb holder	Support de bourelet	Bulbhalter
19	Borgring	Fuse	Bague de blockage	Sperring
20	Nakoelthermostaat	Fan delay thermostat	Thermostat de sursoufflage	Nachkühlthermostat
21	Doorvoersteen	Bulb holder	Porte-ampoule	Wulsthalter

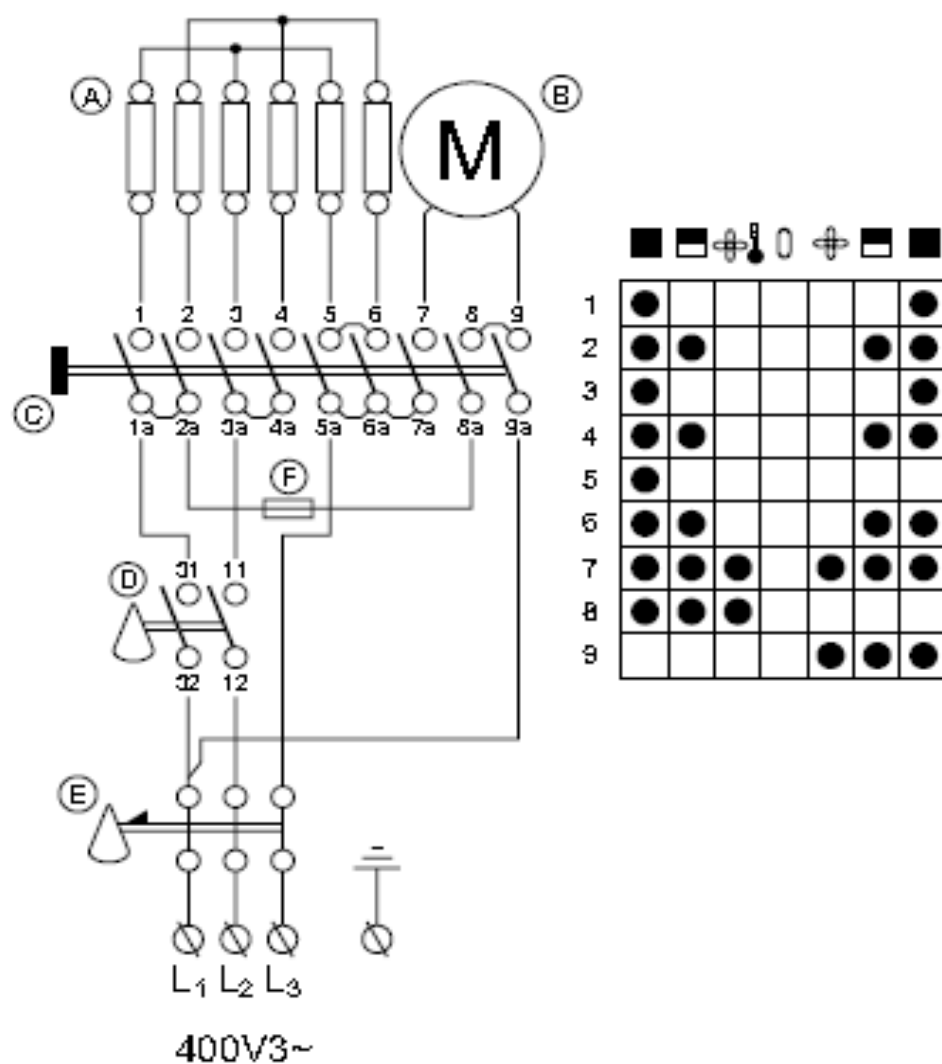
Pos.	BX 3	BX 9/A	BX 15	BX 2	BX 5
1	47.105.452	47.104.783	47.104.759	47.105.452	47.104.922
2	47.102.134	47.104.643	47.104.644	47.104.649	47.104.638
3	47.105.593	47.102.135	47.102.135	47.105.593	47.105.593
4	47.104.527	47.101.912	47.101.912	47.104.527	47.104.527
5	47.104.637	47.104.631	47.104.631	47.104.637	47.104.637
6	47.104.745	47.104.745	47.104.745	47.104.745	47.104.745
7	47.102.068	47.101.914	47.101.914	47.102.068	47.102.068
8	47.804.022/3x	47.804.057/6x	47.804.037/6x	47.804.022/2x	47.804.021/3x
9		47.804.056			
10	47.102.076	47.101.934	47.101.934	47.102.076	47.102.076
11	47.102.108	47.101.664	47.103.476	47.102.108	47.102.108
12	47.102.066	47.102.055(8 contacts)	47.102.055 (8 contacts)	47.102.066	47.102.065
new		47.102.072 (9 contacts)	47.102.072 (9 contacts)		
13	47.101.775	47.101.101	47.103.499	47.101.775	47.101.101
14	47.101.776	47.104.833	47.104.834	47.101.776	47.104.833
15	47.102.095	47.101.909	47.101.516	47.102.095	47.101.348
16	47.101.417	47.101.910	47.103.475	47.101.417	47.102.085
17	47.102.129	47.102.129		47.102.129	47.102.129
18			47.101.917		
19			47.181.128		
20			47.103.479		
21			47.101.856		

C: (BX3: 230 V/50 Hz)

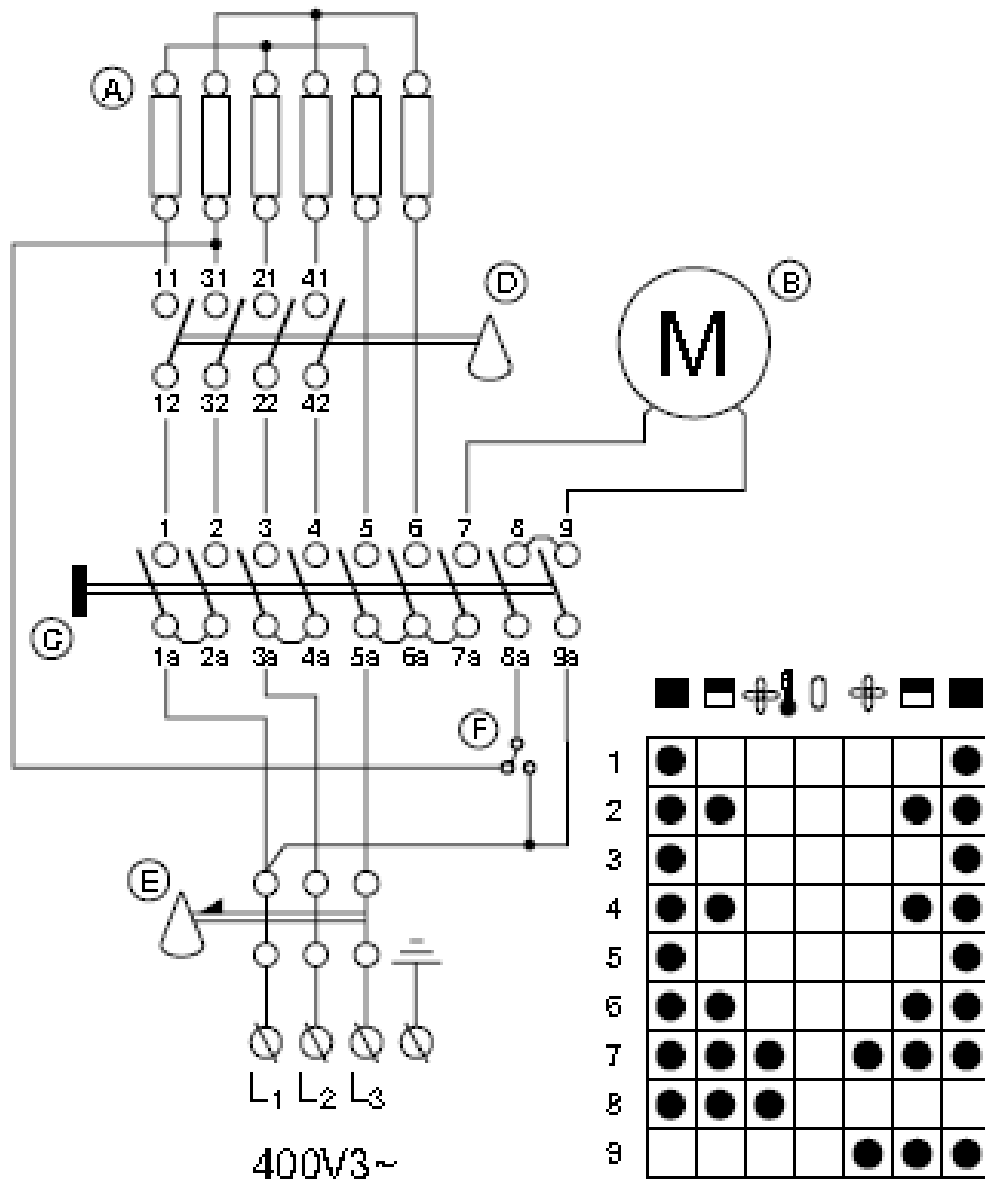


	■	□	+	⊖	⊖	+	□	■
1	●							●
2	●	●					●	●
3	●							●
4	●	●					●	●
5	●	●	●					
6						●	●	●
7			●			●	●	●
8	●	●						

(BX9: 400 V / 3 Ph / 50 Hz)



C: (BX15: 400 V / 3 Ph / 50 Hz)



Spare parts VTB heaters

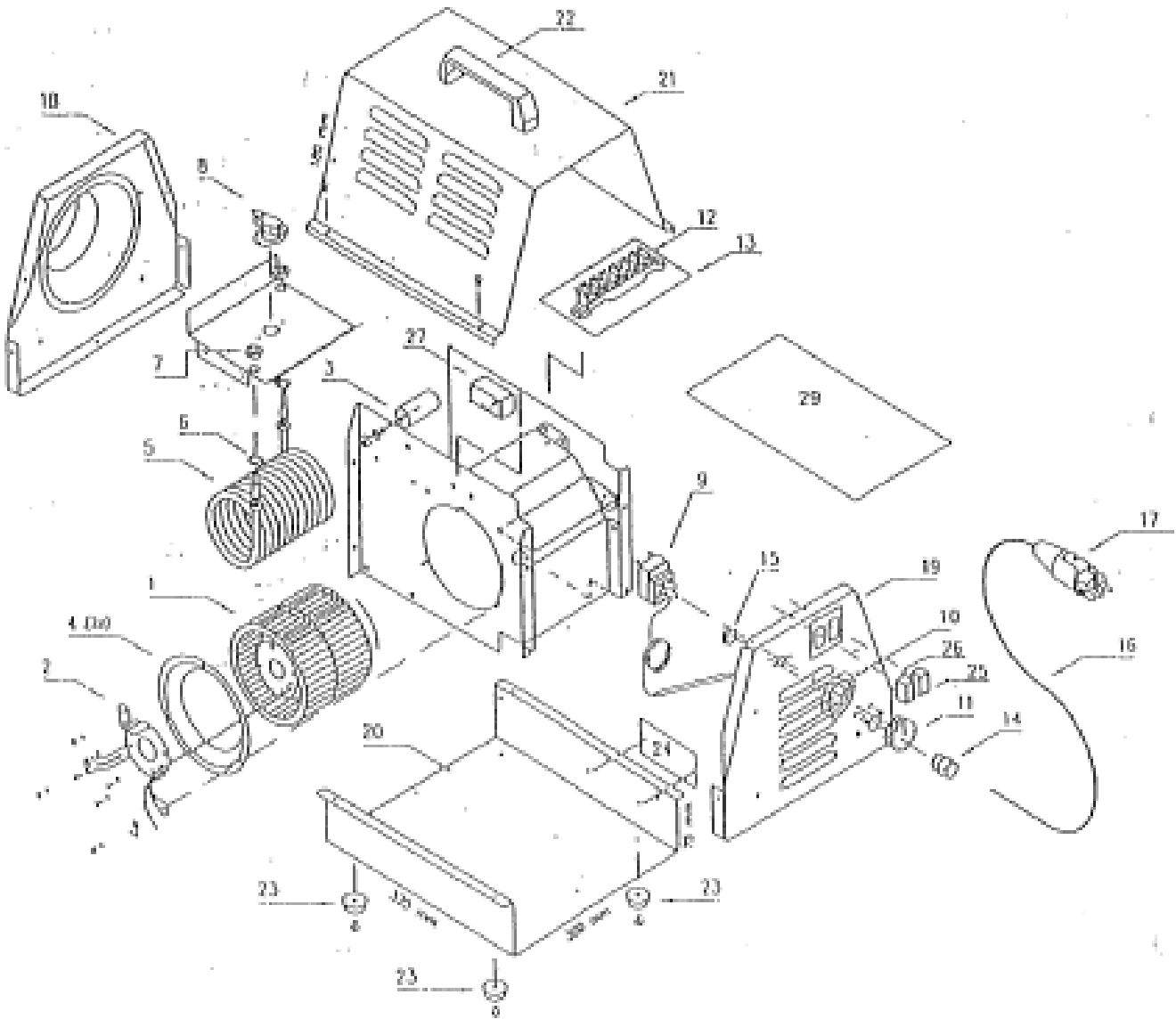
VTB 3000

VTB 9000

VTB 15000

VTB 18000

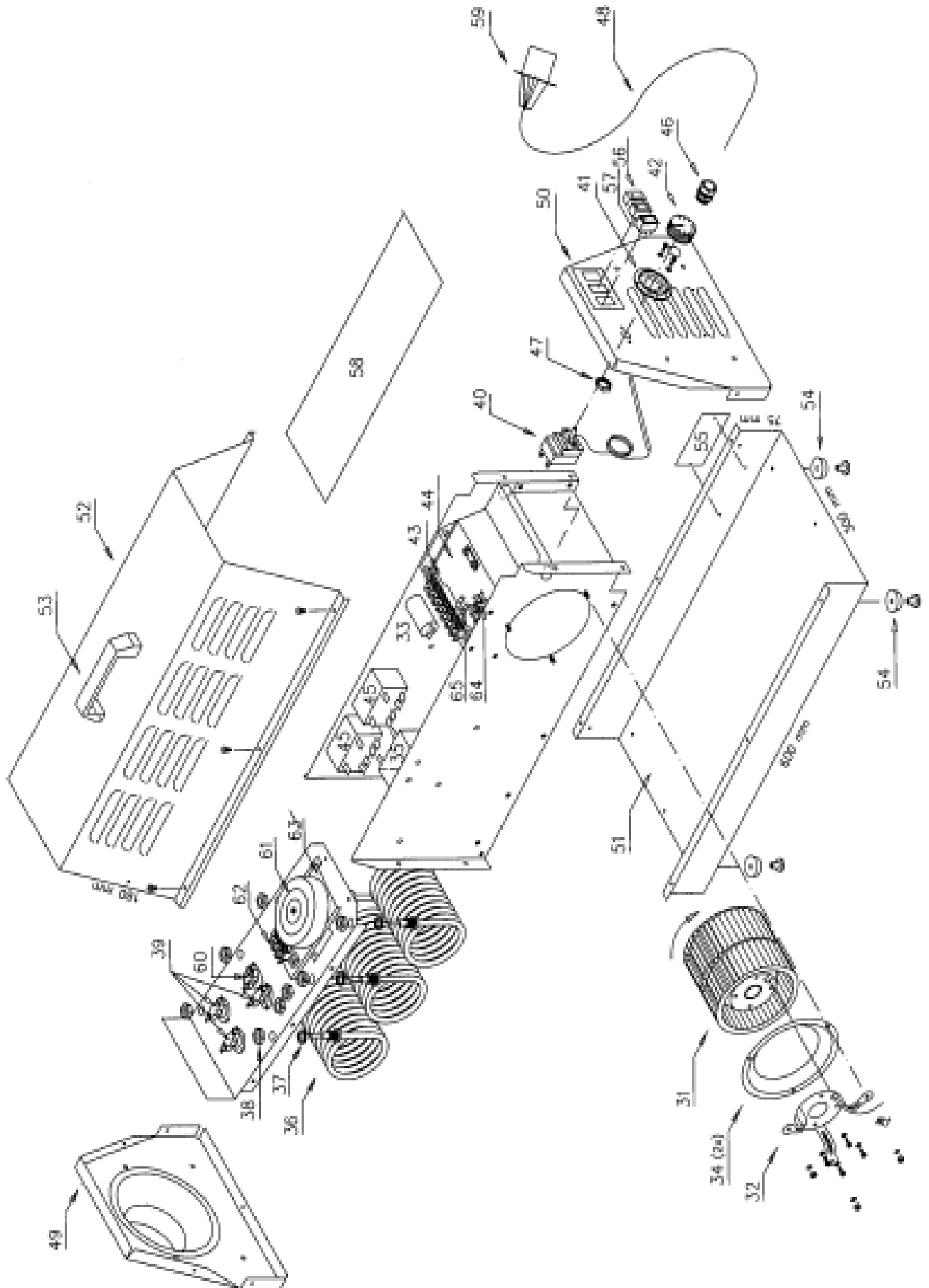
VTB 3000



VTB 3000

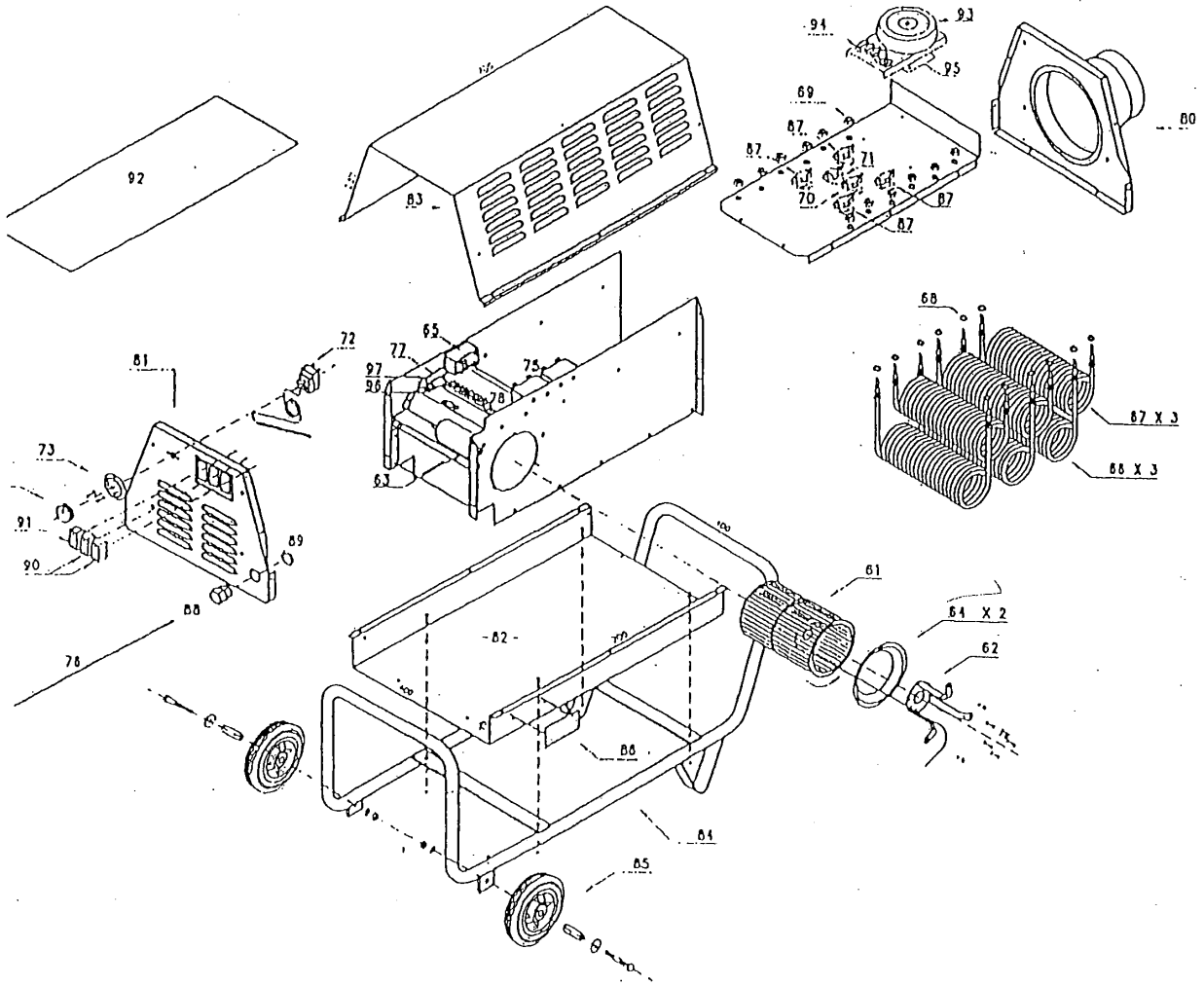
Pos.	VTB 3000	NL	GB	F	D
		Omschrijving	Description	Déscription	Bezeichnung
1	40.307.301	Motor	Motor	Moteur	Motor
2	40.307.302	Motor beugel	Motor brace	Moteur anneau	Motorbügel
3	40.307.304	Condensator	Capacitor	Condensateur	Kondensator
4	40.307.303	Lucht inlaatrand	Air inlet	Prise d'air	Lufteinlass
5	40.307.305	Element 3 kW	Element 3 kW	Élément 3 kW	Heizelement 3 kW
6	40.307.307	Element pakking	Element gasket	Joint de couvercle	Element Dichtung
7	40.307.308	Element moer	Element nut	Élément écrou	Element Mutter
8	40.307.309	Max. clixon	Limit clixon	Thermostat max.	Max. Thermostat
9	40.307.311	Regel thermostaat	Thermostat	Thermostat	Thermostat
10	40.307.112	Therm.afd.ring chr.	Sealingring therm. Chr.	Abdeckring therm. Chr.	Anneau protect chr.
11	40.307.113	Therm.knop zwart	Button therm. Black	Knopf Therm. Schwarz	Bouton therm. Noir
12	40.307.312	Connector SFK7	Connector SKF7	Connecteur SKF 7	Verbinder SKF 7
13	40.307.313	Isolatie plaat	Isolation plate	Plaque isolante	Isolierplatte
14+15	40.307.324	Klemwartel + moer	Cable gand + nut	Émenillon + écrou	Klemmbolzen + Mutter
15					
16	40.307.325	Aansluitkabel	Cable	Câble	Kabel
17	40.307.326	Stekker	Plug	Prise	Stecker
18	40.307.327	Voorplaat	Front plate	Plaque de front	Vorderblech
19	40.307.328	Achterplaat	Rear plate	Plaque arrière	Rückblech
20	40.307.329	Bodemplaat	Bottom plate	Plaque inférieure	Unterblech
21	40.307.330	Kap	Cover	Couvercle	Haube
22	40.307.331	Handgreep	Handle	Poignée	Handgriff
23	40.307.332	Voetdop	Rubber feet	Base coquille	Fusschale
24	40.307.335	Type plaat	Type plate	Plaquette modèle	Typenplatte
25	40.307.315	Schakelaar rood	Switch red	Interrupteur rouge	Schalter rot
26	40.307.314	Schakelaar zwart	Switch black	Interrupteur noir	Schalter schwarz
27	40.307.317	Relais 25A	Relay 25A	Relais 25 A	Relais 25A
28					
29	40.307.323	Afdekplaat	Cover plate	Paroi	Abdeckplatte

VTB 9000



	VTB 9000	NL	GB	F	D
		Omschrijving	Description	Déscription	Bezeichnung
31	40.307.401	Motor	Motor	Moteur	Motor
32	40.307.302	Motor beugel	Motor brace	Moteur anneau	Motorbügel
33	40.307.404	Condensator	Capacitor	Condensateur	Kondensator
34	40.307.303	Lucht inlaatrand	Air inlet	Prise d'air	Lufteinlass
35	40.307.418	Spannings relais	Tension protection relay	Relais de garde tension	Spannungs- bewachungsrelais
36	40.307.305	Element 3 kW	Element 3 kW	Élément 3 kW	Heizelement 3 kW
37	40.307.307	Element pakking	Element gasket	Element joint de couvercle	Element Dichtung
38	40.307.308	Element moer	Element nut	Élément écrou	Element Mutter
39	40.307.409	Max. clixon	Limit clixon	Thermostat max.	Max. Thermostat
40	40.307.311	Thermostaat	Thermostat	Thermostat	Thermostat
41	40.307.112	Therm.afd.ring chr.	Sealingring therm. Chr.	Abdeckring therm. Chr.	Anneau protect chr.
42	40.307.113	Therm.knop zwart	Button therm. Black	Knopf Therm. Schwarz	Bouton therm. Noir
43	40.307.312	Connector SFK7	Connector SKF7	Connecteur SKF 7	Verbinder SKF 7
44	40.307.413	Isolatie plaat	Isolation plate	Plaque isolante	Isolierplatte
45	40.307.317	Relais 25A	Relay 25A	Relais 25 A	Relais 25A
46+47	40.307.324	Klemwartel + moer	Cable gand + nut	Émenillon + écrou	Klemmbolzen + Mutter
47					
48	40.307.425	Aansluitkabel	Cable	Câble	Kabel
49	40.307.427	Voorplaat	Front plate	Plaque de front	Vorderblech
50	40.307.428	Achterplaat	Rear plate	Plaque arrière	Rückblech
51	40.307.429	Bodemplaat	Bottom plate	Plaque inférieure	Unterblech
52	40.307.430	Kap	Cover	Couvercle	Haube
53	40.307.331	Handgreep	Handle	Poignée	Handgriff
54	40.307.332	Voetdop	Rubber feet	Base coquille	Fussschale
55	40.307.435	Type plaat	Type plate	Plaquette modèle	Typenplatte
56	40.307.315	Schakelaar rood	On/off switch red	Interrupteur rouge	Schalter rot
57	40.307.314	Schakelaar zwart	Switch black	Interrupteur noir	Schalter schwarz
58	40.307.423	Afdekplaat	Cover plate	Paroi	Abdeckplatte
59	40.307.426	Stekker	Plug	Prise	Stecker
60	40.307.410	Nakoel clixon	Cooling safty thermostat	Thermostat de refroidissement	Nachkühlthermostat
61	40.307.419	Transformator	Transformer	Transformateur	Transformator
62	40.307.116	Connector 7x3	Connector 7x3	Connector 7x3	Connector 7x3
63	40.307.132	Connector 3x3	Connector 3x3	Connector 3x3	Connector 3x3
64	40.307.420	Zekeringhouder	Fuse holder	Support de fusée	Sicherungsstütze
65	40.307.421	Zekering	Fuse	Fusible	Sicherug

VTB 15000

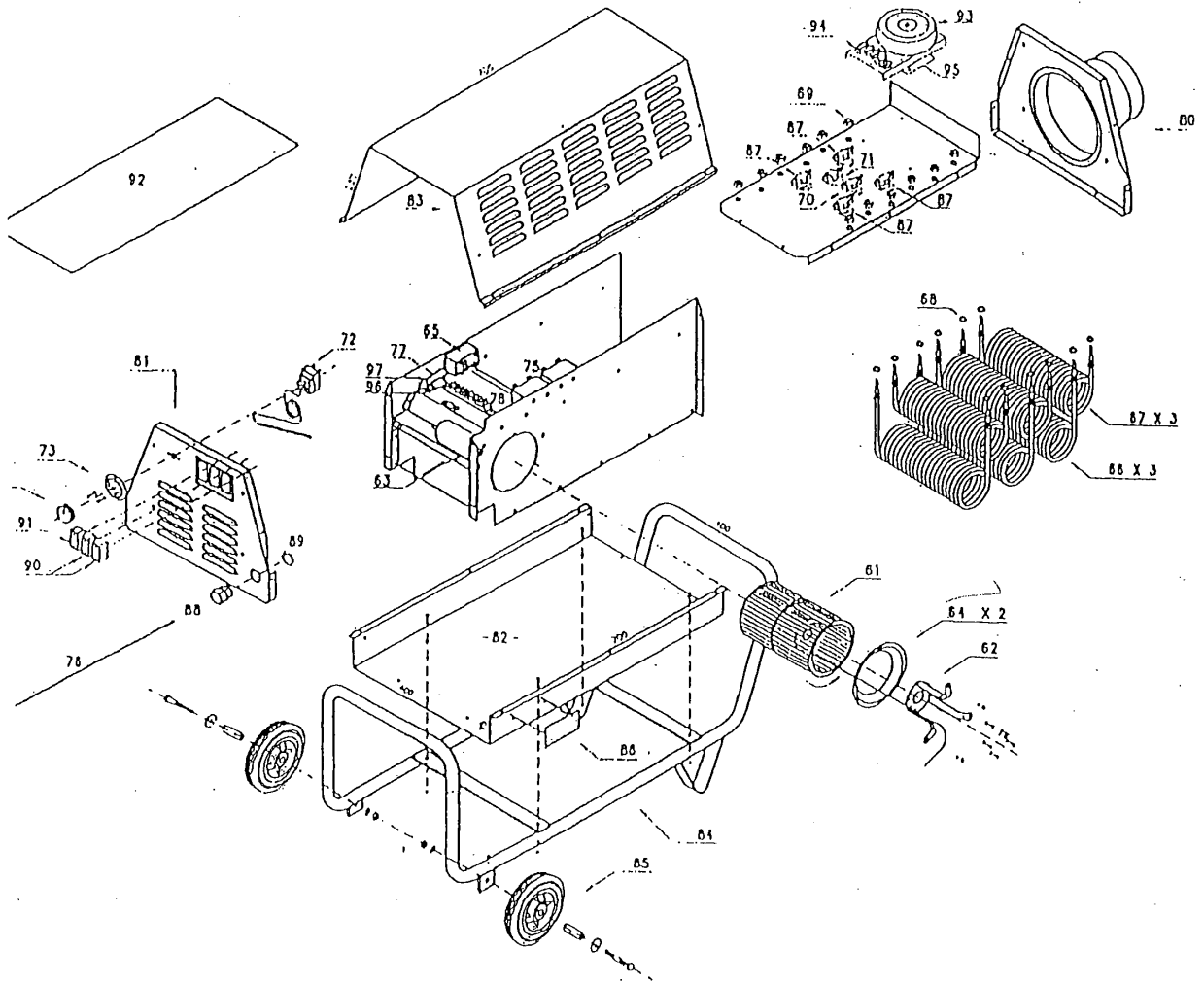


VTB 15000

VTB 15000

Pos.	VTB 15000	NL	GB	F	D
		Omschrijving	Description	Déscription	Bezeichnung
61	40.107.100	Motor	Motor	Moteur	Motor
62	40.307.101	Motor beugel	Motor brace	Moteur anneau	Motorbügel
63	40.307.102	Condensator	Capacitor	Condensateur	Kondensator
64	40.307.103	Lucht inlaatrand	Air inlet	Prise d'air	Lufteinlass
65	40.307.104	Spannings relais	Voltage relay	Relais de garde tension	Spannungs- bewachungsrelais
66	40.307.106	Element 2 kW	Element 2 kW	Élément 2 kW	Heizelement 2 kW
67	40.307.105	Element 3 kW	Element 3 kW	Élément 3 kW	Heizelement 3 kW
68	40.307.107	Element pakking	Element gasket	Element joint de couvercle	Element Dichtung
69	40.307.108	Element moer	Element nut	Élément écrou	Element Mutter
70	40.307.109	Max. clixon	Limit clixon	Thermostat max.	Max. Thermostat
71	40.307.110	Nakoel clixon	Cooling safty thermostat	Thermostat de refroidiss	Nachkühlthermostat
72	40.307.111	Thermostaat	Thermostat	Thermostat	Thermostat
73	40.307.112	Therm.afd.ring chr.	Sealingring therm. Chr.	Abdeckring therm. Chr.	Anneau protect chr.
74	40.307.113	Therm.knop zwart	Button therm. Black	Knopf Therm. Schwarz	Bouton therm. Noir
75	40.307.114	Relais 25A	Relay 25A	Relais 25 A	Relais 25A
76	40.307.115	Aansluitkabel	Cable	Câble	Kabel
77	40.307.116	Connector SKF7	Connector SKF7	Connecteur SKF 7	Verbinder SKF 7
78	40.307.117	Isolatie plaat	Isolation plate	Plaque isolante	Isolierplatte
79					
80	40.307.118	Voorplaat	Front plate	Plaque de front	Vorderblech
81	40.307.119	Achterplaat	Rear plate	Plaque arrière	Rückblech
82	40.307.120	Bodemplaat	Bottom plate	Plaque inférieure	Unterblech
83	40.307.121	Kap	Cover	Couvercle	Haube
84	40.307.122	Frame	Frame	Châssis	Gestell
85	40.307.123	Wiel	Wheel	Roue	Rad
86	40.307.124	Type plaat	Type plate	Plaquette modèle	Typenplatte
87	40.307.125	Max. clixon 63 gr.	Max. therm. 63 degr.	Therm. Max. 63 degr.	Max. Thermost. 63 Gr.
88	40.307.126	Wartel PG 21	Cable gand PG 21	Émenillon PG 21	Klemmbolzen PG 21
88+89		Klemwartel + moer	Cable gand + nut	Émenillon + écrou	Klemmbolzen + Mutter
89	40.307.127	Moer PG 21	Nut PG 21	Écrou PG 21	Mutter PG 21
90	40.307.128	Schakelaar rood	Switch red	Interrupteur rouge	Schalter rot
91	40.307.129	Schakelaar zwart	Switch black	Interrupteur noir	Schalter schwarz
92	40.307.130	Afdekplaat	Cover plate	Paroi	Abdeckplatte
93	40.307.131	Transformator	Transformer	Transformateur	Transformator
94	40.307.132	Connectorstrip SKF 3F	Connectionstrip SKF	Couvre-joint connect.	Verb.Lasche SKF 3F
95	40.307.133	Trafoplaat	Transformerplate	Plaque du transform.	Transformatorplatte
96	40.307.134	Zekeringhouder	Fuse holder	Support de fusée	Sicherungsstütze
97	40.307.135	Zekering	Fuse	Fusible	Sicherug
98					
99					
100					

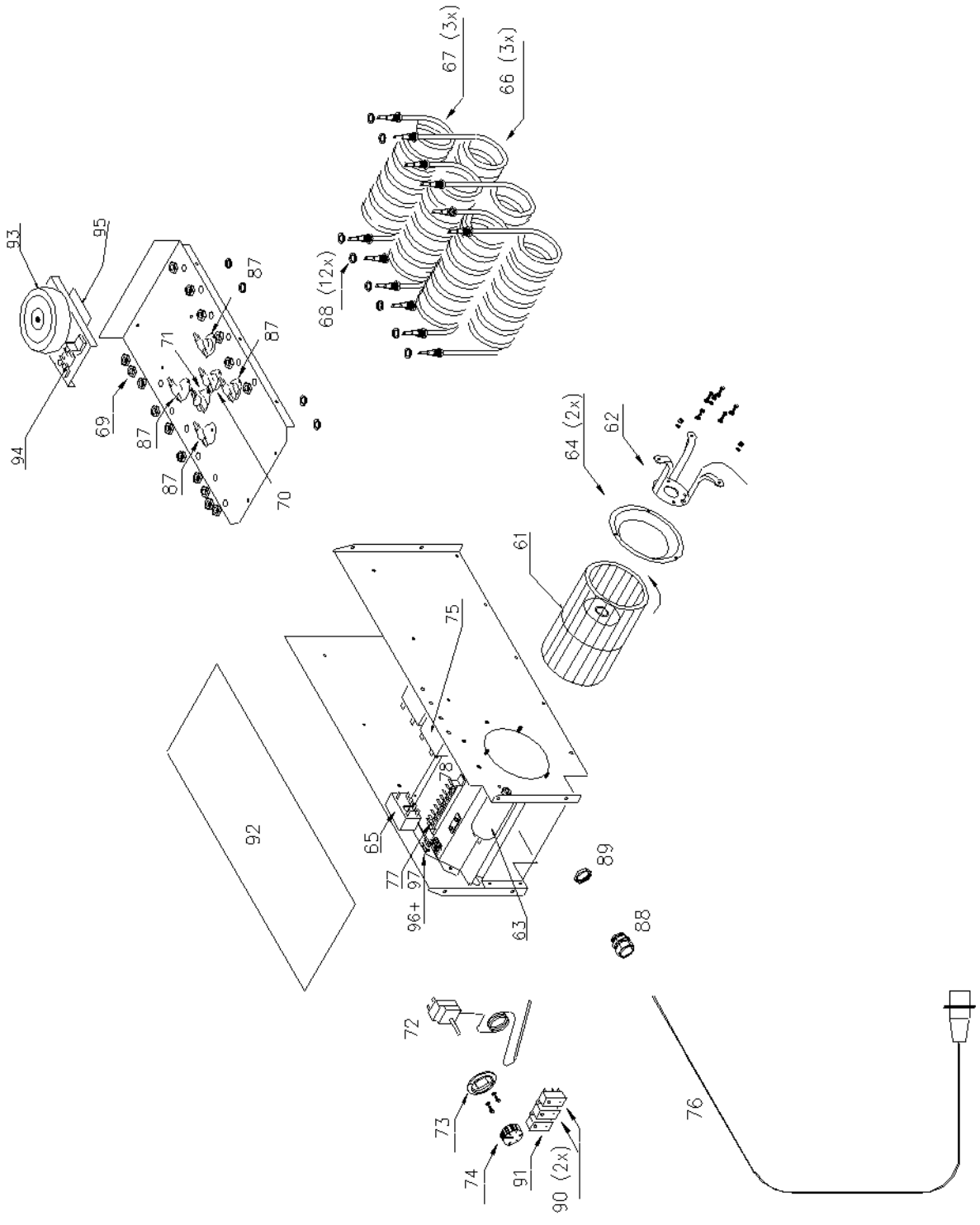
VTB 18000



VTB 18000

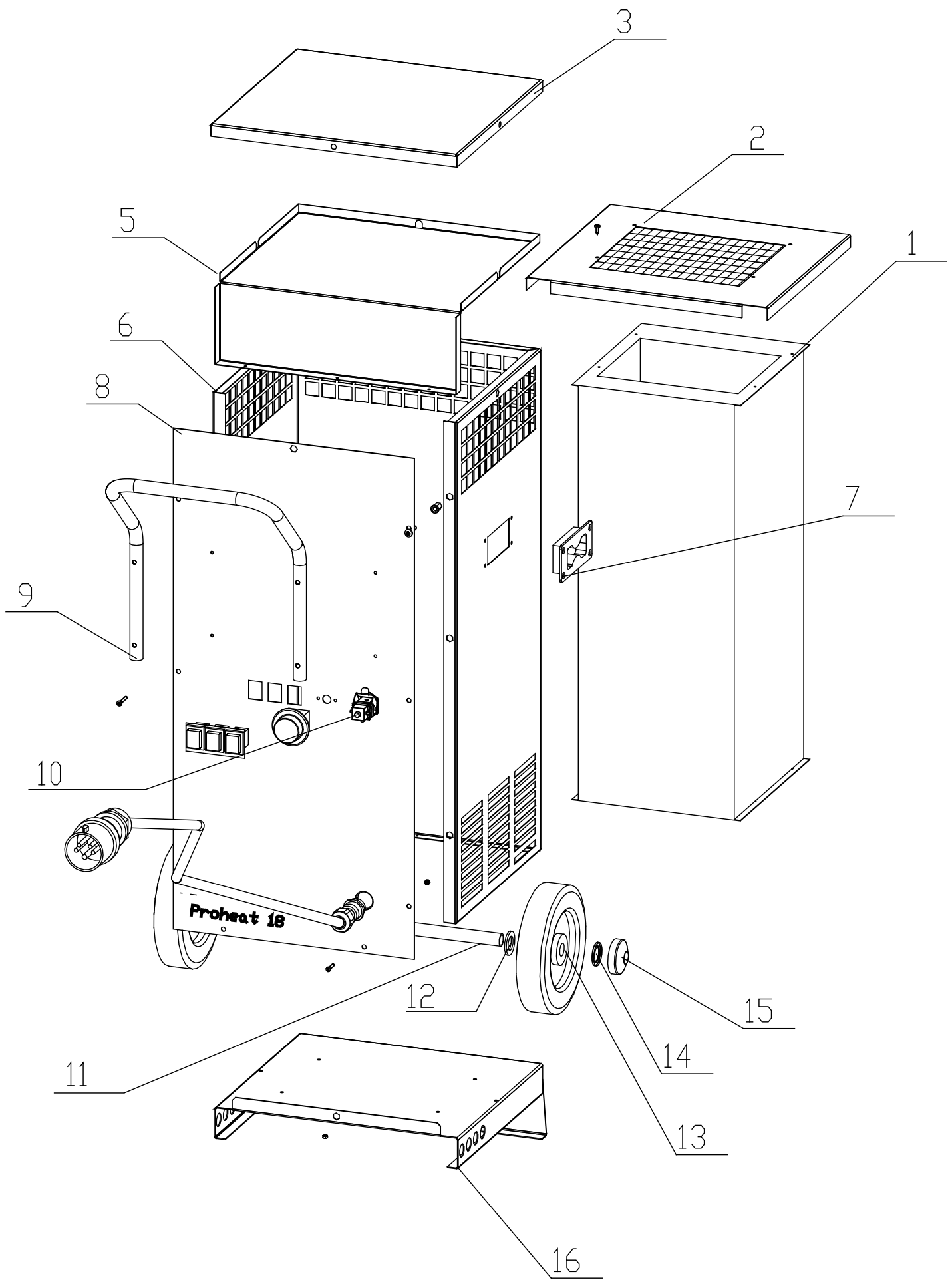
Pos	VTB 18000	NL Omschrijving	GB Description	F Description	D Bezeichnung
61	40.307.100	Motor	Motor	Moteur	Motor
62	40.307.101	Motor beugel	Motor brace	Moteur anneau	Motorbügel
63	40.307.102	Condensator	Capacitor	Condensateur	Kondensator
64	40.307.103	Lucht inlaatrand	Air inlet	Prise d'air	Lufteinlass
65	40.307.104	Spannings relais	Voltage relay	Relais de garde tension	Spannungs- bewachungsrelais
66	40.307.105	Element 3 kW	Element 3 kW	Élément 3 kW	Heizelement 3 kW
67	40.307.106	Element 2 kW	Element 2 kW	Élément 2 kW	Heizelement 2 kW
68	40.307.107	Element pakking	Element gasket	Element joint de couvercle	Element Dichtung
69	40.307.108	Element moer	Element nut	Élément écrou	Element Mutter
70	40.307.125	Max. clixon	Limit clixon	Thermostat max.	Max. Thermostat
71	40.307.110	Nakoel clixon	Cooling safty thermostat	Thermostat de refroidissement	Nachkühlthermostat
72	40.307.111	Thermostaat	Thermostat	Thermostat	Thermostat
73	40.307.112	Therm.afd.ring chr.	Sealingring therm. Chr.	Abdeckring ther.	Anneau protect chr.
74	40.307.113	Therm.knop zwart	Button therm. Black	Knopf ThSchwarz	Bouton therm. Noir
75	40.307.114	Relais 25A	Relay 25A	Relais 25 A	Relais 25A
76	40.307.115	Aansluitkabel	Cable	Câble	Kabel
77	40.307.116	Connector SKF7	Connector SKF7	Connecteur7SKF	Verbinder SKF 7
78	40.307.117	Isolatie plaat	Isolation plate	Plaque isolante	Isolierplatte
79					
80	40.307.118	Voorplaat	Front plate	Plaque de front	Vorderblech
81	40.307.119	Achterplaat	Rear plate	Plaque arrière	Rückblech
82	40.307.120	Bodemplaat	Bottom plate	Plaque inférieure	Unterblech
83	40.307.121	Kap	Cover	Couvercle	Haube
84	40.307.122	Frame	Frame	Châssis	Gestell
85	40.307.123	Wiel	Wheel	Roue	Rad
86	40.307.124	Type plaat	Type plate	Plaquette modèle	Typenplatte
87	40.307.125	Max. clixon 63 gr.	Max. therm. 63 degr.	Therm. Max. 63 degr.	Max. Thermost. 63 Gr.
88	40.307.126	Wartel PG 21	Cable gand PG 21	Émenillon PG 21	Klemmbolzen PG 21
89	40.307.127	Moer PG 21	Nut PG 21	Écrou PG 21	Mutter PG 21
90	40.307.128	Schakelaar rood	Switch red	Interrupteur rouge	Schalter rot
91	40.307.129	Schakelaar zwart	Switch black	Interrupteur noir	Schalter schwarz
92	40.307.130	Afdekplaat	Cover plate	Paroi	Abdeckplatte
93	40.307.131	Transformator	Transformer	Transformateur	Transformator
94	40.307.132	Connectorstrip SKF 3F	Connectionstrip SKF	Couvre-joint connect.	Verb.Lasche SKF 3F
95	40.307.133	Trafoplaat	Transformerplate	Plaque du transform.	Transformatorplatte
96	40.307.134	Zekeringhouder	Fuse holder	Support de fusée	Sicherungsstütze
97	40.307.135	Zekering	Fuse	Fusible	Sicherug
98					
99					

Proheat 18



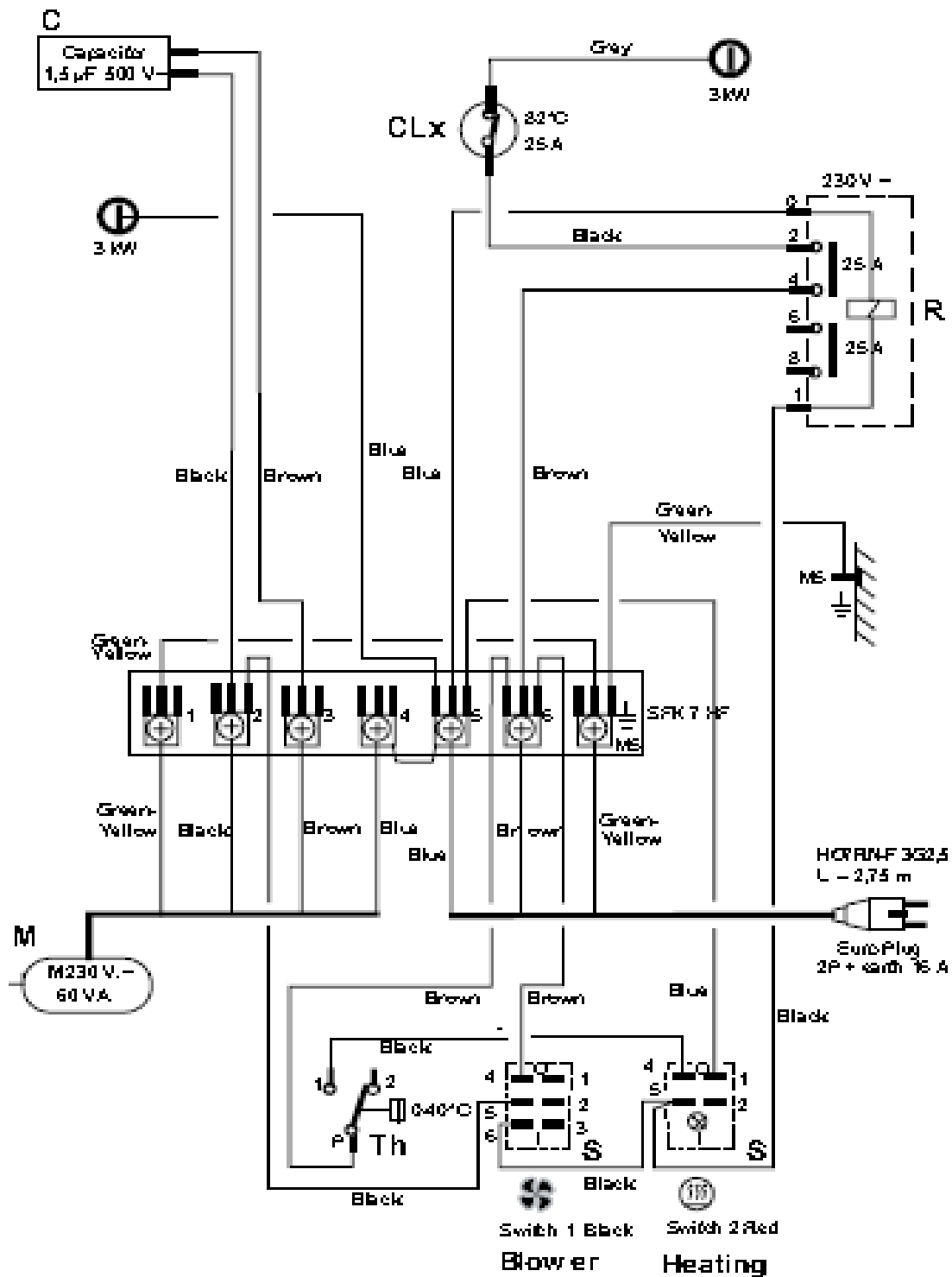
Proheat 18

Pos	PROHEAT 18	NL Omschrijving	GB Description	F Description	D Bezeichnung
61	40.307.100	Motor	Motor	Moteur	Motor
62	40.307.101	Motor beugel	Motor brace	Moteur anneau	Motorbügel
63	40.307.102	Condensator	Capacitor	Condensateur	Kondensator
64	40.307.103	Lucht inlaatrand	Air inlet	Prise d'air	Lufteinlass
65	40.307.104	Spannings relais	Voltage relay	Relais de garde tension	Spannungs- bewachungsrelais
66	40.307.105	Element 3 kW	Element 3 kW	Élément 3 kW	Heizelement 3 kW
67	40.307.106	Element 2 kW	Element 2 kW	Élément 2 kW	Heizelement 2 kW
68	40.307.107	Element pakking	Element gasket	Element joint de couvercle	Element Dichtung
69	40.307.108	Element moer	Element nut	Élément écrou	Element Mutter
70	40.307.125	Max. clixon	Limit clixon	Thermostat max.	Max. Thermostat
71	40.307.110	Nakoel clixon	Cooling safty thermostat	Thermostat de refroidissement	Nachkühlthermostat
72	40.307.111	Thermostaat	Thermostat	Thermostat	Thermostat
73	40.307.112	Therm.afd.ring chr.	Sealingring therm. Chr.	Abdeckring ther.	Anneau protect chr.
74	40.307.113	Therm.knop zwart	Button therm. Black	Knopf ThSchwarz	Bouton therm. Noir
75	40.307.114	Relais 25A	Relay 25A	Relais 25 A	Relais 25A
76	40.307.115	Aansluitkabel	Cable	Câble	Kabel
77	40.307.116	Connector SFK7	Connector SKF7	Connecteur7SKF	Verbinder SKF 7
78	40.307.117	Isolatie plaat	Isolation plate	Plaque isolante	Isolierplatte
79					
82	40.307.120	Bodemplaat	Bottom plate	Plaque inférieure	Unterblech
87	40.307.125	Max. clixon 63 gr.	Max. therm. 63 degr.	Therm. Max. 63 degr.	Max. Thermost. 63 Gr.
88	40.307.126	Wartel PG 21	Cable gand PG 21	Émenillon PG 21	Klemmbolzen PG 21
89	40.307.127	Moer PG 21	Nut PG 21	Écrou PG 21	Mutter PG 21
90	40.307.128	Schakelaar rood	Switch red	Interrupteur rouge	Schalter rot
91	40.307.129	Schakelaar zwart	Switch black	Interrupteur noir	Schalter schwarz
92	40.307.130	Afdekplaat	Cover plate	Paroi	Abdeckplatte
93	40.307.131	Transformator	Transformer	Transformateur	Transformator
94	40.307.132	Connectorstrip SKF 3F	Connectionstrip SKF	Couvre-joint connect.	Verb.Lasche SKF 3F
95	40.307.133	Trafoplaat	Transformerplate	Plaque du transform.	Transformatorplatte
96	40.307.134	Zekeringhouder	Fuse holder	Support de fusée	Sicherungsstütze
97	40.307.135	Zekering	Fuse	Fusible	Sicherug
98					
99					

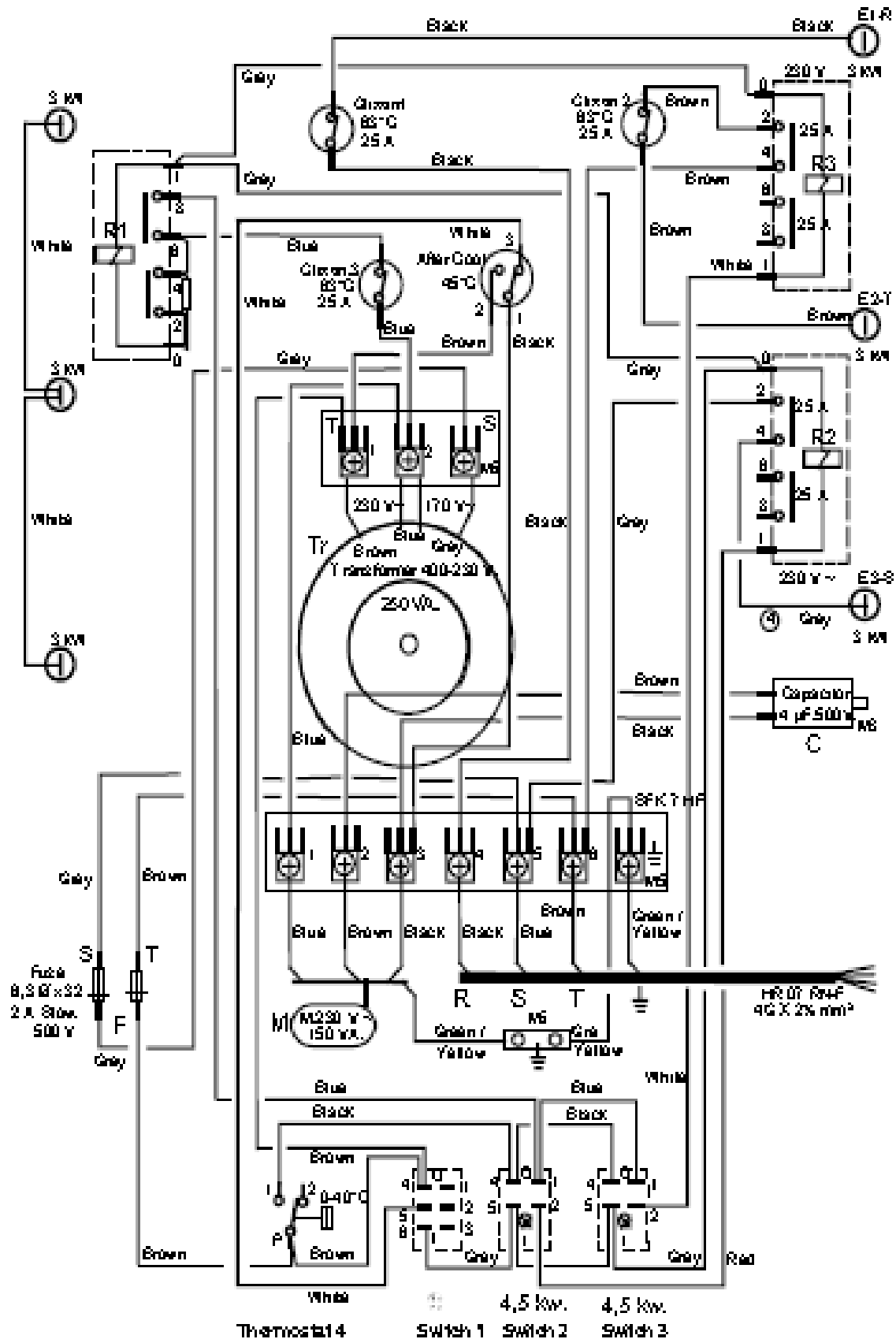


Pos.	Edp.nr.	NL Omschrijving	GB Description	F Description	D Bezeichnung
1	40.018.025	Binnenwerk	Interior work	Intérieur	Innenbau
2	40.018.013/01	Bevestigingsplaat	Fastening plate	Plaque de fixation	Befestigungsplatte
3	40.018.012	Kap	Guard	Capot	Haube
4					
5	40.018.024	Koelplaat	Cooling plate	Plaque de refroidissement	Kühlplatte
6	40.018.010/02	Mantel	Mantle	Chemise	Mantel
7	40.018.031	Handgreep	Handle	Poignée	Handgriff
8	40.018.011/01	Achterpaneel	Rear panel	Panneau arrière	Rückwand
9	40.018.022	Handgreep	Handle	Poignée	Handgriff
10a	40.202.091	Stekkerinzet	Plug insert	Garniture de la fiche	Steckereinsatz
10b	40.202.092	Stekerhuis	Plug housing	Logement de la fiche	Steckergehäuse
10c	40.226.030	Afdekkapje	Cover	Capucon	Abdeckkappe
11	40.018.019	Wielas	Wheel shaft	Axe de roulette	Radachse
12	40.501.672	Sluitring	Washer	Bague de fermeture	Schließring
13	40.202.142	Wiel	Wheel	Roulette	Rad
14	40.202.101	Borgring	Locking ring	Bague de blocage	Klemmring
15	40.202.102	Stofkap	Dust cover	Coiffe antipoussière	Staubhaube
16	40.018.014/01	Voetsteun	Footrest	Socle	Fussstütze
17					
18					

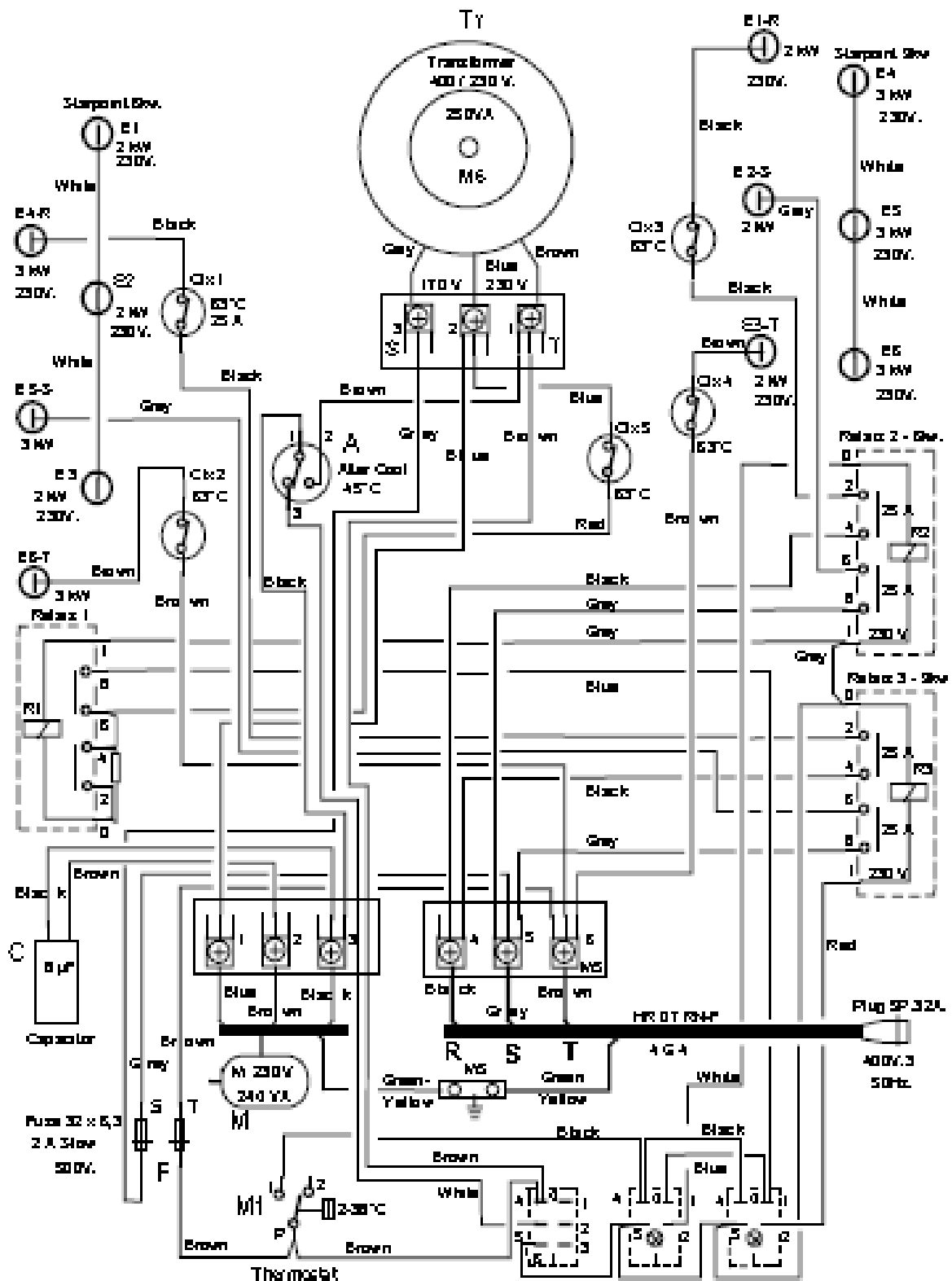
C: (VTB 3000: 230 V / 50 Hz)



C: (VTB9000: 400 V / 3 Ph / 50 Hz)



C: (VTB 15000: 400 V / 3 Ph / 50 Hz)



Switch 1 Black Switch 2 Red Switch 3 Red

VTB 18000 / Proheat 18

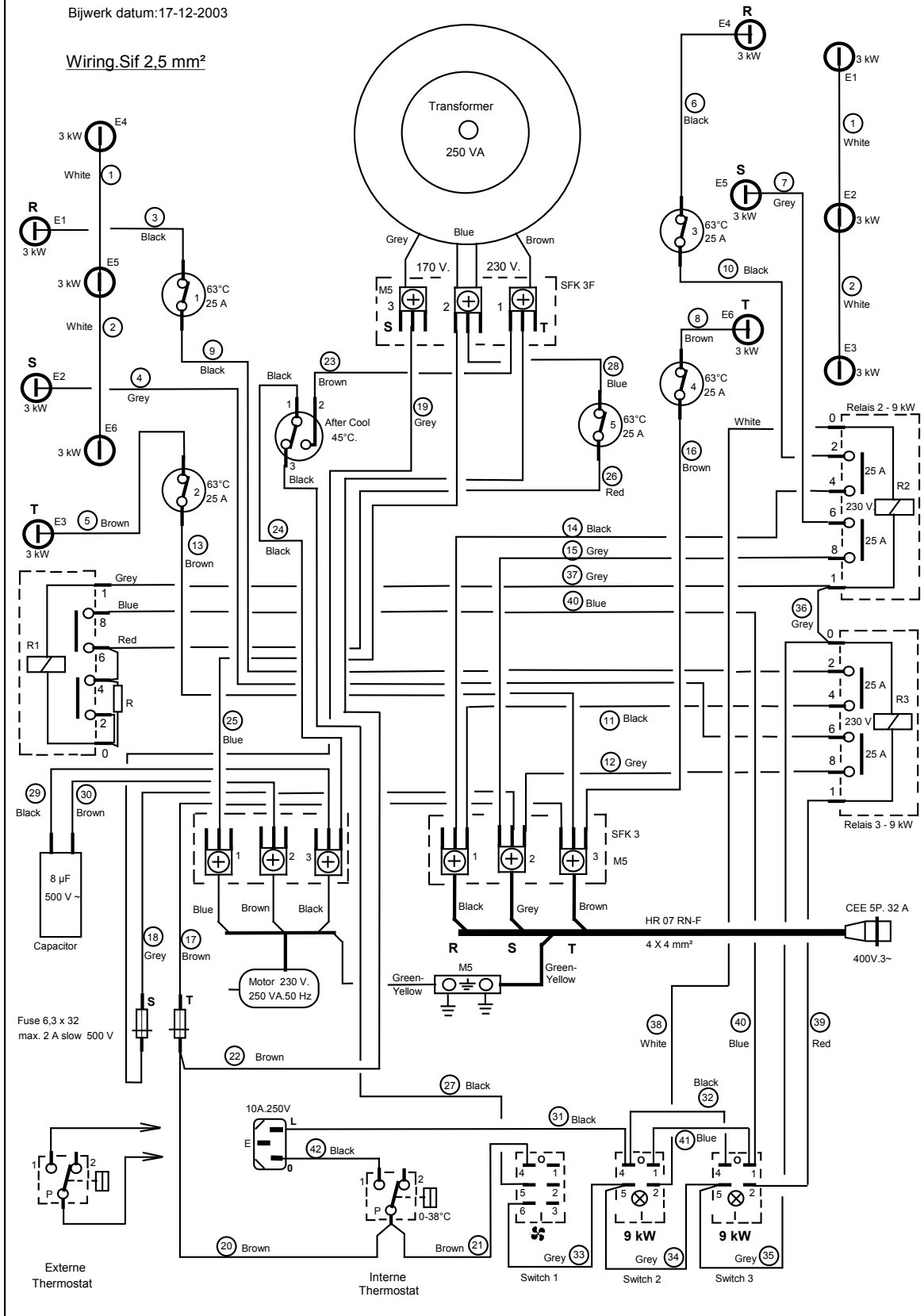
WIRING DIAGRAM

Proheat 18

400 Volt 3~ 50Hz. 18 kw. 26 Amp.

Bijwerk datum: 17-12-2003

Wiring.Sif 2,5 mm²



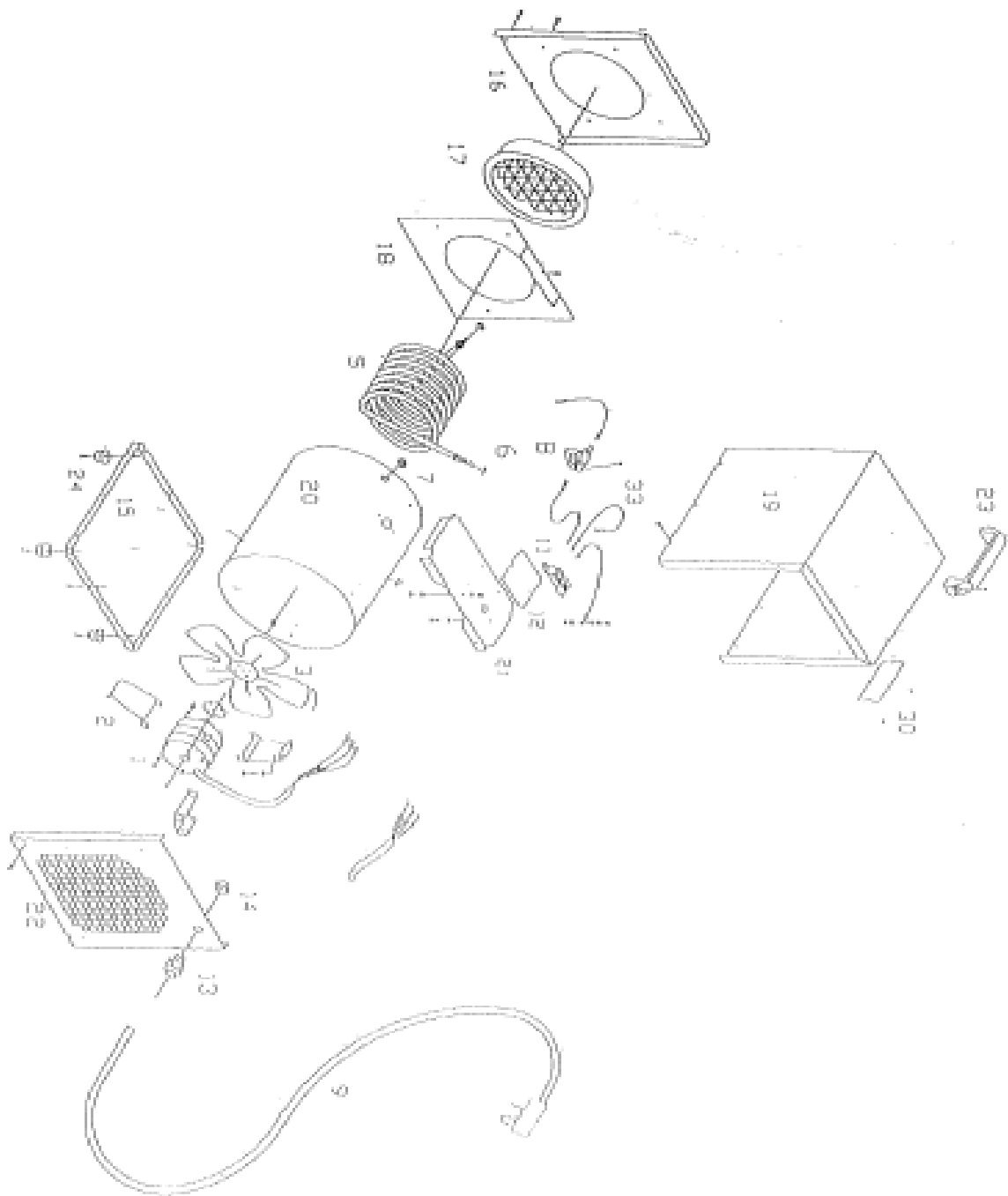
SPARE PARTS

CH 3

CH 12

CH 18

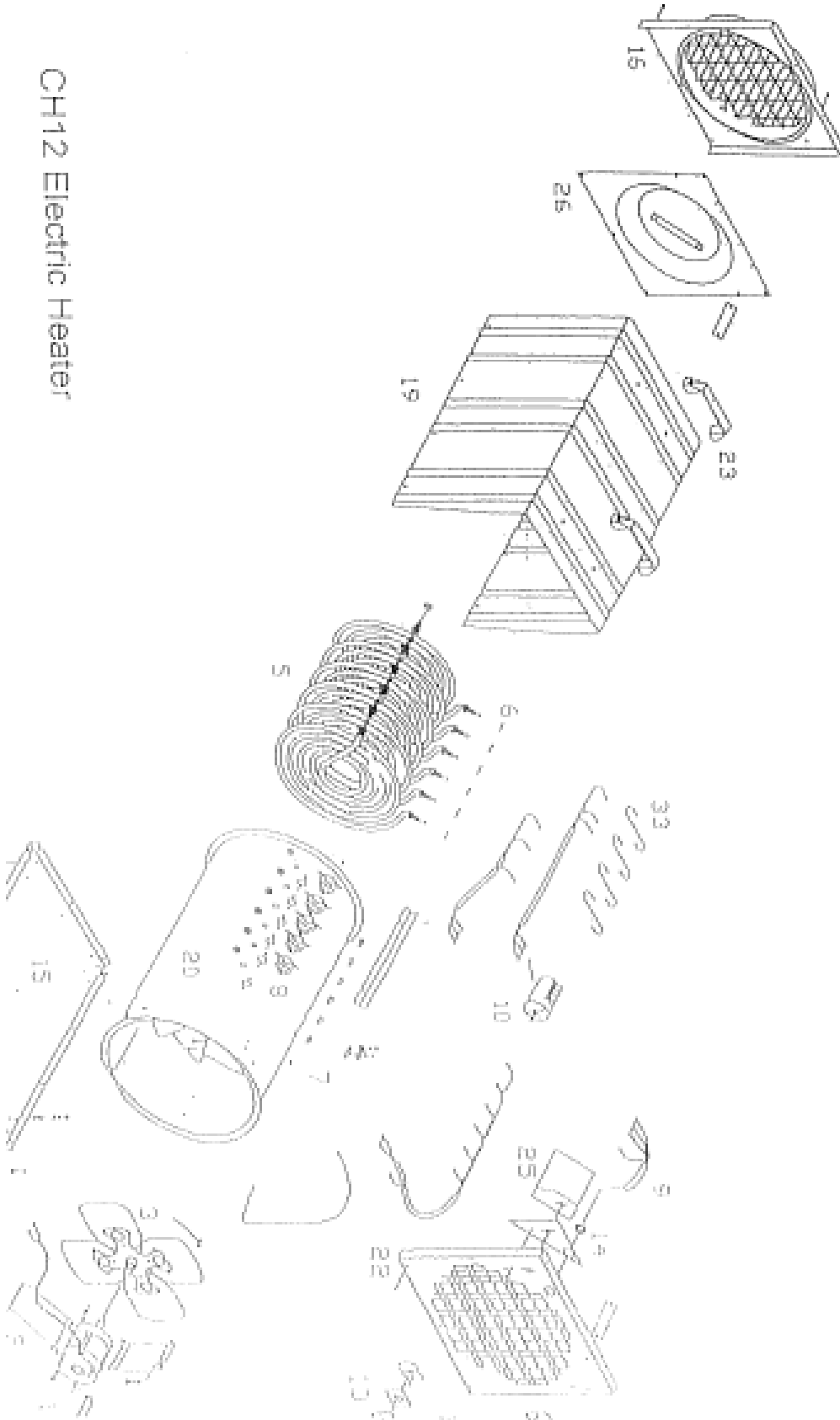
CH 3



Pos.	CH 3	NL	GB	F	D
		Omschrijving	Description	Déscription	Bezeichnung
1	40.109.000	Motor	Motor	Moteur	Motor
2	40.109.001	Motor beugel	Motor brace	Moteur anneau	Motor Stütze
3	40.109.002	Ventilator	Fan blade	Ventilateur	Ventilator
4					
5	40.109.003	Element	Element	Élément	Heiz element
6	40.109.004	Pakking	Gasket	Joint	Dichtung
7	40.109.005	Moer ¼ gas	Nut ¼ gas	Écrou ¼ gaz	Mutter ¼ gas
8	40.109.006	Max. thermostaat	Limit stat 63	Max. thermostat	Max. thermostat
9	40.109.007	Kabel	Cable	Câble	Kabel
10					
11	40.109.008	Connector	Connector	Connecteur	Verbinder
12	40.109.009	Isolatie plaat	Isolation plate	Plaque isolante	Isolierplatte
13	40.109.010	Klemwartel	Cable gland	Émenillon	Klemmbolzen
14	40.109.011	Moer	Nut	Écrou	Mutter
15	40.109.012	Bodem plaat	Bottom plate	Plaque inférieure	Unterblech
16	40.109.013	Voorplaat	Front plate	Plaque de front	Vorderblech
17	40.109.014	Uitblaas	Outlet	Cône supérieure	Aussenkonus
18	40.109.015	Steun plaat	Holding plate	Plaque anneau	Stütz Platte
19	40.109.016	Boven kap	Cover	Couvercle	Oberdeckel
20	40.109.017	Mantel	Tube	Virole	Mantel
21	40.109.018	Plaat	Mounting	Plaquette	Platte
22	40.109.019	Inlaat plaat	Inlet plate	Grille	Schutz
23	40.109.020	Handvat	Handle	Poignée	Handgriff
24	40.109.021	Voet dop	Rubber feet	Base coquille	Fusschale
25					
26					
27					
28					
29					
30					
31	40.109.023	Doos	Box	Bôte	Karton
32	40.109.024	Handleiding	Manual	Manuel	Betriebsanleitung
33	40.109.025	Draad boom	Wiring set	Câbles électriques	Elektrische drate

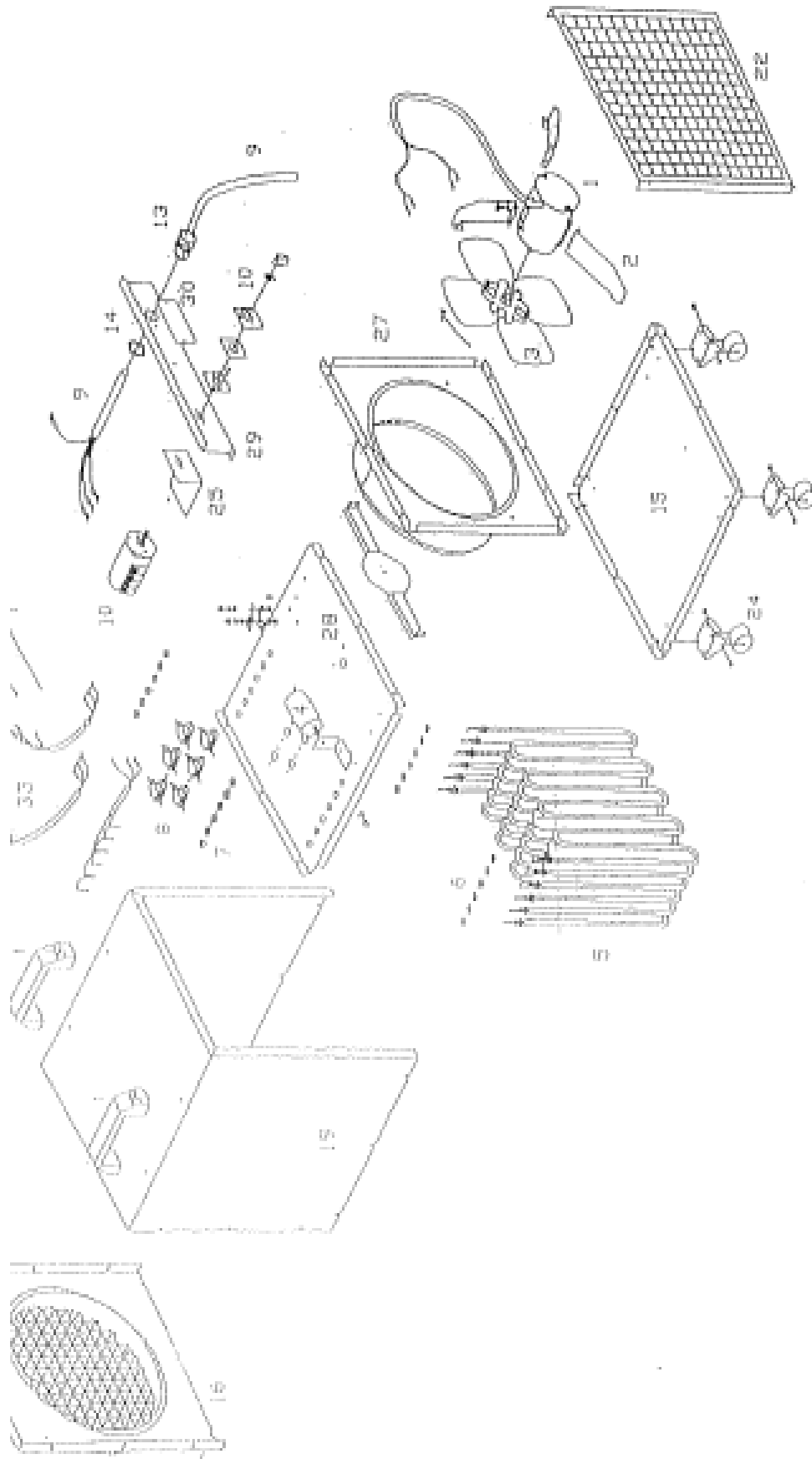
CH 12

CH12 Electric Heater



Pos.	CH 12	NL	GB	F	D
		Omschrijving	Description	Déscription	Bezeichnung
1	40.109.026	Motor	Motor	Moteur	Motor
2	40.109.027	Motor beugel	Motor brace	Moteur anneau	Motor Stütze
3	40.109.028	Ventilator	Fan blade	Ventilateur	Ventilator
4					
5	40.109.029	Element	Element	Élément	Heiz element
6	40.109.004	Pakking	Gasket	Joint	Dichtung
7	40.109.005	Moer ¼ gas Max.	Nut ¼ gas	Écrou ¼ gaz	Mutter ¼ gas
8	40.109.030	thermostaat	Limit stat	Max. thermostat	Max. thermostat
9	40.109.031	Kabel	Cable	Câble	Kabel
10	40.109.032	Schakelaar	Rotary switch	Interrupteur	Schalter
11					
12	40.109.033	Isolatie plaat	Isolation plate	Plaque isolante	Isolierplatte
13	40.109.010	Klemwartel	Cable gland	Émenillon	Klemmbolzen
14	40.109.011	Moer	Nut	Écrou	Mutter
15	40.109.034	Bodem plaat	Bottom plate	Plaque inférieure	Unterblech
16	40.109.035	Voorplaat	Front plate	Plaque de front	Vorderblech
17		Uitblaas	Outlet	Cône supérieure	Aussenkonus
18		Steun plaat	Holding plate	Plaque anneau	Stütz Platte
19	40.109.036	Boven kap	Cover	Couvercle	Oberdeckel
20	40.109.037	Mantel	Tube	Virole	Mantel
21		Plaat	Mounting	Plaquette	Platte
22	40.109.038	Inlaat plaat	Inlet plate	Grille	Schutz
23	40.109.020	Handvat	Handle	Poignée	Handgriff
24	40.109.039	Wiel	Wheel	Roue	Rad
25	40.109.040	Isolatie plaat	Isolation plate	Plaque isolante	Isolierplatte
26	40.109.041	Uitblaas	Outlet	Cône supérieure	Aussenkonus
27					
28					
29					
30					
31	40.109.043	Doos	Box	Bôte	Karton
32	40.109.024	Handleiding	Manual	Manuel	Betriebsanleitung
33	40.109.044	Draad boom	Wiring set	Câbles électriques	Elektrische drate

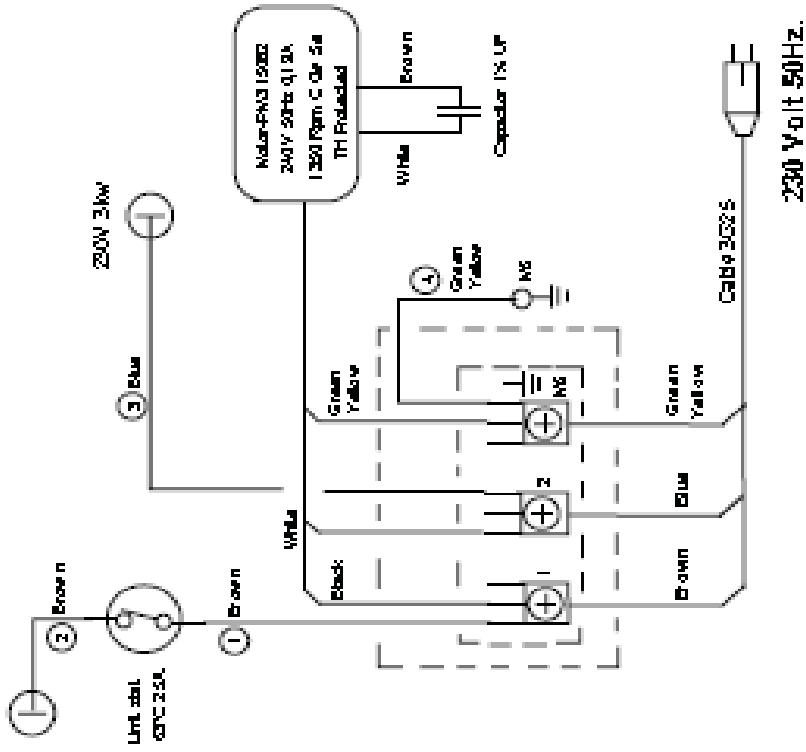
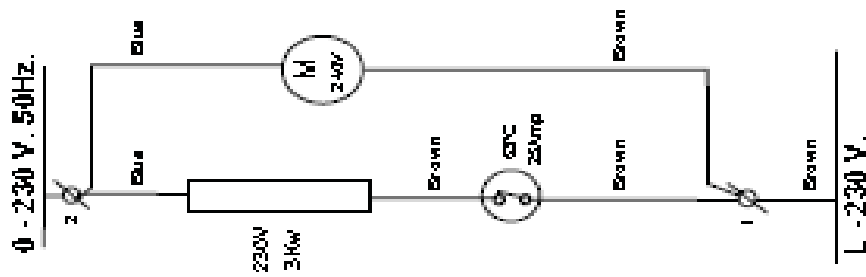
CH 18



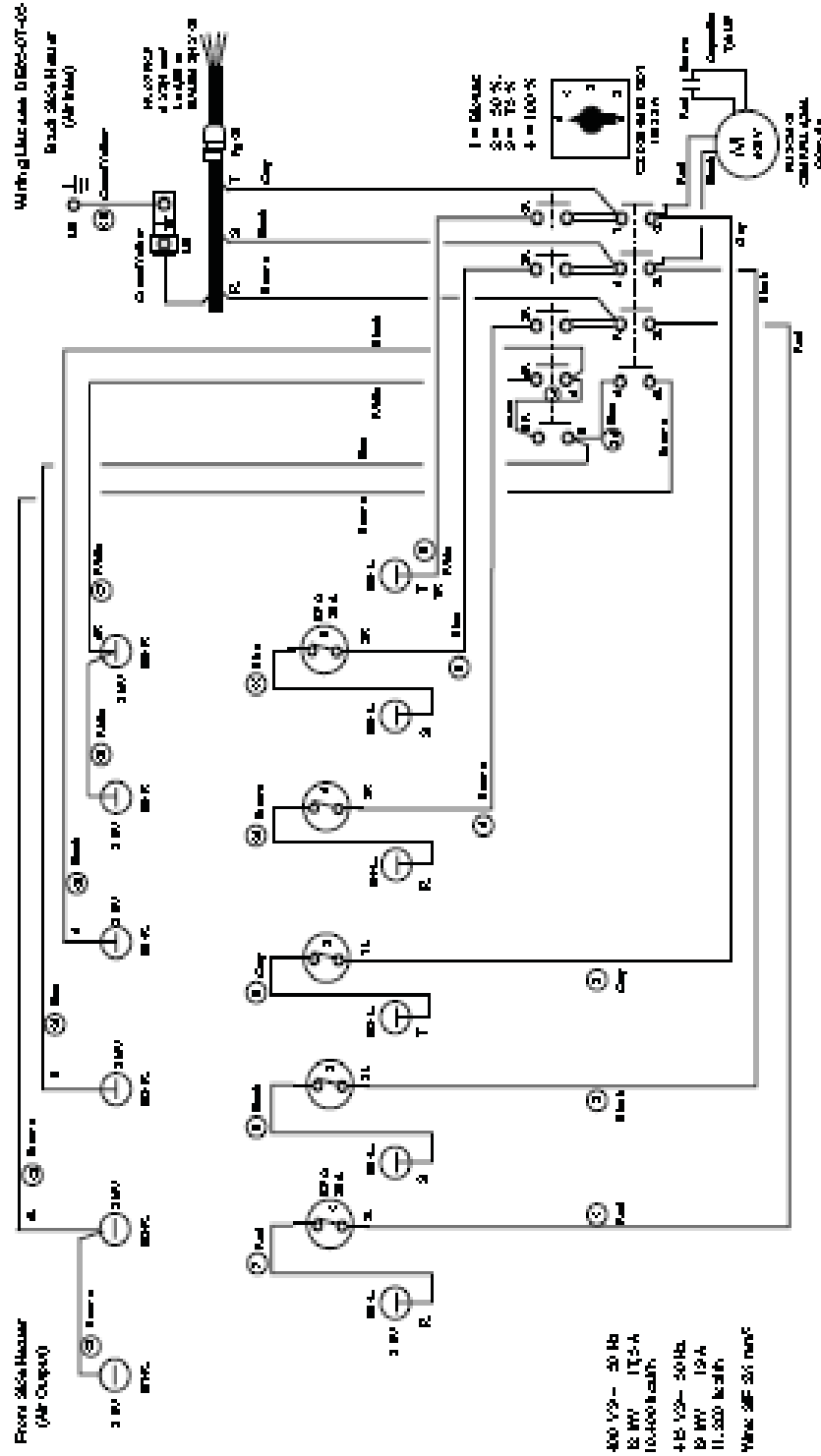
CH18 Electric Heater

Pos.	CH 18	NL	GB	F	D
		Omschrijving	Description	Déscription	Bezeichnung
1	40.109.045	Motor	Motor	Moteur	Motor
2	40.109.046	Motor beugel	Motor brace	Moteur anneau	Motor Stütze
3	40.109.047	Ventilator	Fan blade	Ventilateur	Ventilator
4	40.109.048	Condensator	Capacitor	Condebsateur	Kondensator
5	40.109.049	Element	Element	Elément	Heiz element
6	40.109.004	Pakking	Gasket	Joint	Dichtung
7	40.109.005	Moer ¼ gas	Nut ¼ gas	Écrou ¼ gaz	Mutter ¼ gas
8	40.109.006	Max. thermostaat	Limit stat	Max. thermostat	Max. thermostat
9	40.109.050	Kabel	Cable	Câble	Kabel
10	40.109.032	Schakelaar	Rotary switch	Interrupteur	Schalter
11					
12	40.109.051	Isolatie plaat	Isolation plate	Plaque isolante	Isolierplatte
13	40.109.052	Klemwartel	Cable gland	Émenillon	Klemmbolzen
14	40.109.053	Moer	Nut	Écrou	Mutter
15	40.109.054	Bodem plaat	Bottom plate	Plaque inférieure	Unterblech
16	40.109.055	Voorplaat	Front plate	Plaque de front	Vorderblech
17		Uitblaas	Outlet	Cône supérieure	Aussenkonus
18		Steun plaat	Holding plate	Plaque anneau	Stütz Platte
19	40.109.056	Boven kap	Cover	Couvercle	Oberdeckel
20					
21		Plaat	Mounting	Plaquette	Platte
22	40.109.057	Inlaat plaat	Inlet plate	Grille	Schutz
23	40.109.020	Handvat	Handle	Poignée	Handgriff
24	40.109.039	Wiel	Wheel	Roue	Rad
25	40.109.058	Isolatie plaat	Isolation plate	Plaque isolante	Isolierplatte
26					
27	40.109.059	Plaat	Mounting	Plaquette	Platte
28	40.109.060	Plaat	Mounting	Plaquette	Platte
29	40.109.060	Plaat	Mounting	Plaquette	Platte
30					
31	40.109.063	Doos	Box	Bôte	Karton
32	40.109.024	Handleiding	Manual	Manuel	Betriebsanleitung
33	40.109.064	Draad boom	Wiring set	Câbles électriques	Elektrische drate

C: (CHB: 230 V / 50 Hz)



C: (CH12: 415 V / 3 Ph / 50 Hz)



- 400 V/3- 50 Hz
- 125 A
- 1500W
- 40 A
- 100W
- 120 W
- 1000V
- 1000mA
- 200V

Wiring 300V 50Hz

C: (CH18: 415 V/3 Ph / 50 Hz)

